



SHOWER ARMS

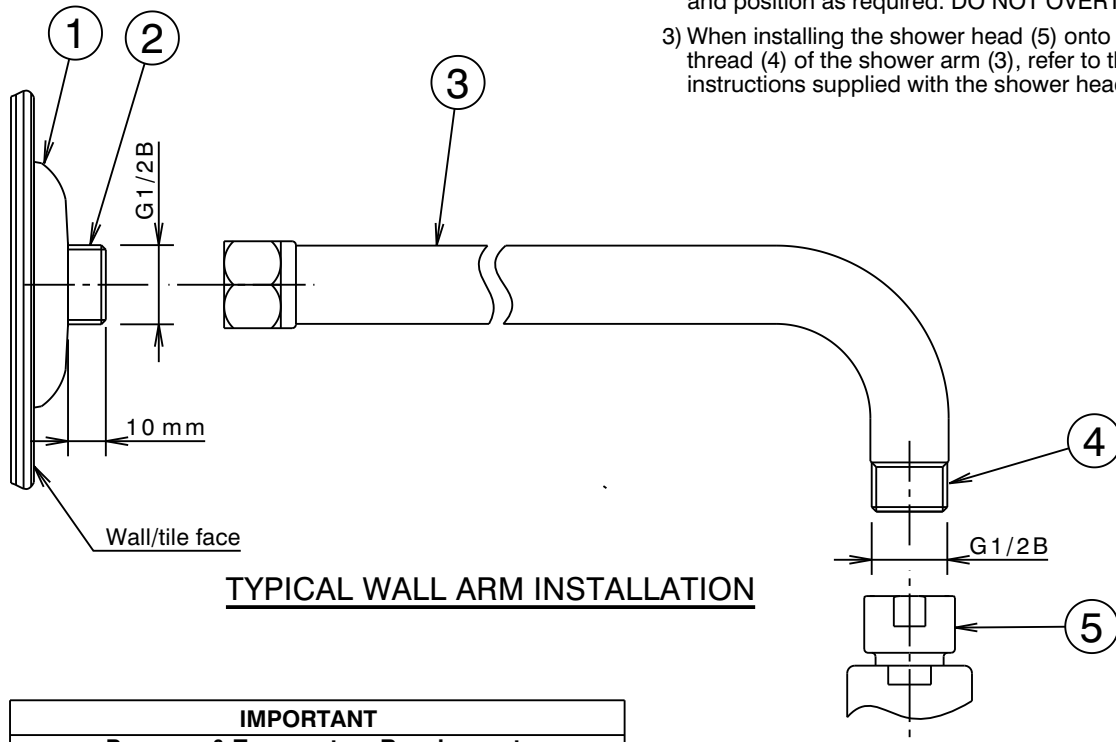
PLUMBERS INSTALLATION INSTRUCTIONS

Important Information

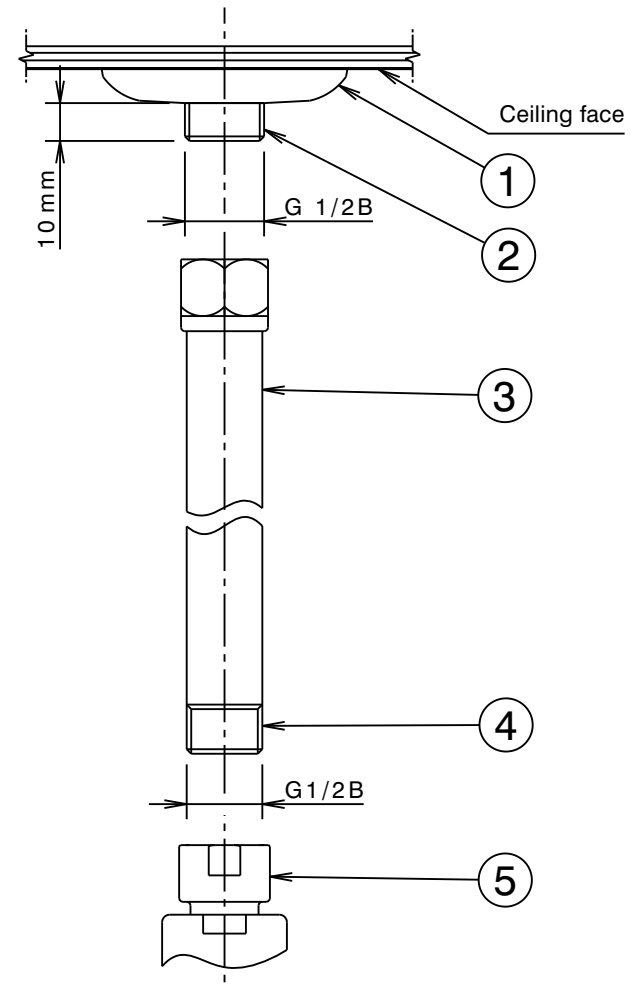
- * Generic installation for wall and ceiling mounted shower arms that are sold separately.
- * All pipework must be thoroughly flushed prior to installation.

Installation

- 1) Check that threaded nipple (2) is the correct length, as shown. Cut to length if required ensuring end face is square. Apply thread tape to the thread.
- 2) Place the cover plate (1) over the threaded nipple (2). Screw the shower arm (3) onto the threaded nipple (2) and position as required. DO NOT OVERTIGHTEN.
- 3) When installing the shower head (5) onto the connection thread (4) of the shower arm (3), refer to the individual instructions supplied with the shower head.



TYPICAL WALL ARM INSTALLATION



TYPICAL CEILING ARM INSTALLATION

IMPORTANT

Pressure & Temperature Requirements.

- Hot and cold water inlet pressures should be equal.
- Inlet pressure range : 150 -1000 kPa
New Regulation:- 500 kPa maximum static pressure at any outlet within a building. (Ref. AS/NZS 3500.1)
- Maximum hot water temperature : 80°C.