



FLICKMIXER PLUS - PLATEMOUNTED WALL MIXER & BATH OUTLET RH/LH

PLUMBERS INSTALLATION INSTRUCTIONS

Important Information

- * Brazed connections should NOT be made directly onto the mixer, as excessive heat will cause permanent damage.
- * All pipework must be thoroughly flushed prior to installation.

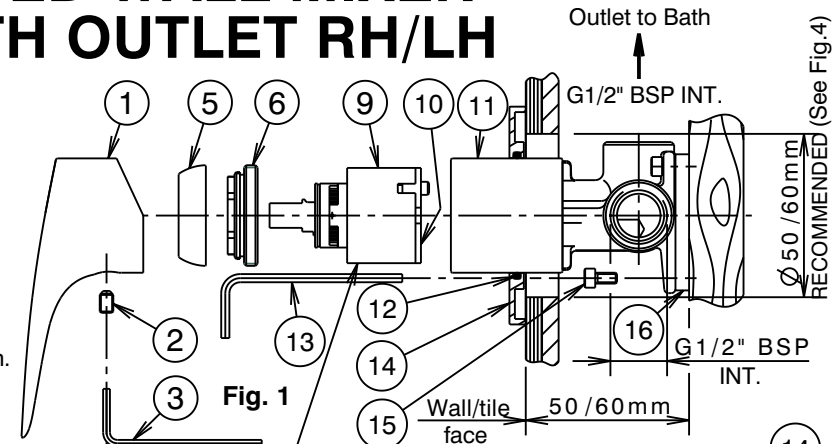
Installation

- Determine if outlet (17) is to be to the right or left of the mixer body (11) when installed (Fig. 3). Fit suitable fittings to the connection ports of the mixer (11). When facing the mixer, the connections should be as follows:
Hot water inlet connection 'H' to the left.
Cold water inlet connection 'C' to the right.
Mixed water outlet connection, vertically upwards.
Note: A suitable elbow fitting (22⁺) should be fitted to the inlet connection adjacent to the lugged elbow (24) (Fig. 4). Attach the mixer body (11) & the lugged elbow (24) to the mounting plate (16) with screws (15) and tighten using 3.0mm allen key (13).
Note: Mounting plate can be flipped over to change hand.
- Fit the mounting plate (16) onto a suitable noggin in the wall & secure using screws through the holes in each corner.
Important :
 - * Mixer body (11) must be installed square to wall/tile face, to ensure cover plate (14) sits flush.
 - * To avoid damaging the decorative finish, do not remove the protective sleeve until installation has been completed.
- Complete the connections. (Fig. 4). Check all connections for leaks. **Note:** Pipework and fittings are not supplied.
- Carefully slide the cover plate (14) onto the mixer body (11), ensuring that the 'O'Ring (12) remains in its groove, then push the cover plate firmly against the wall/tile face. (See Fig. 1). Check that the thread on the lugged elbow (24) is the correct length as shown (Fig. 2). Cut to length if required ensuring end face is square. Apply thread tape to the thread.
- Fit handle (1) taking care that it is pushed fully down, tighten screw (2) using the 2.5mm allen key (3) then fit plug (4).
- Slide brass washer (20) onto plain diameter of adaptor (19), as shown. Screw adaptor (19) onto lugged elbow (24) until cover plate (14) is held securely against wall/tile face. DO NOT OVERTIGHTEN. Apply suitable lubricant to 'O'Rings (18) on adaptor (19).
- Fit bath outlet (17) onto spigot of adaptor (19) & position bath outlet against the cover plate (14), taking care not to damage the decorative finish. While the bath outlet is held in the correct position against the cover plate, tighten screws (21) (Fig. 3) using 2.50mm allen key (3) until the bath outlet (17) is held firmly against the cover plate (14).

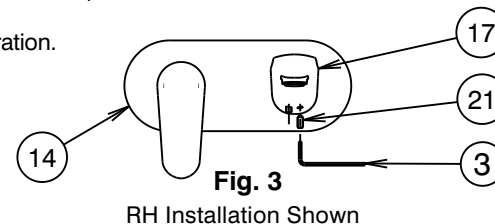
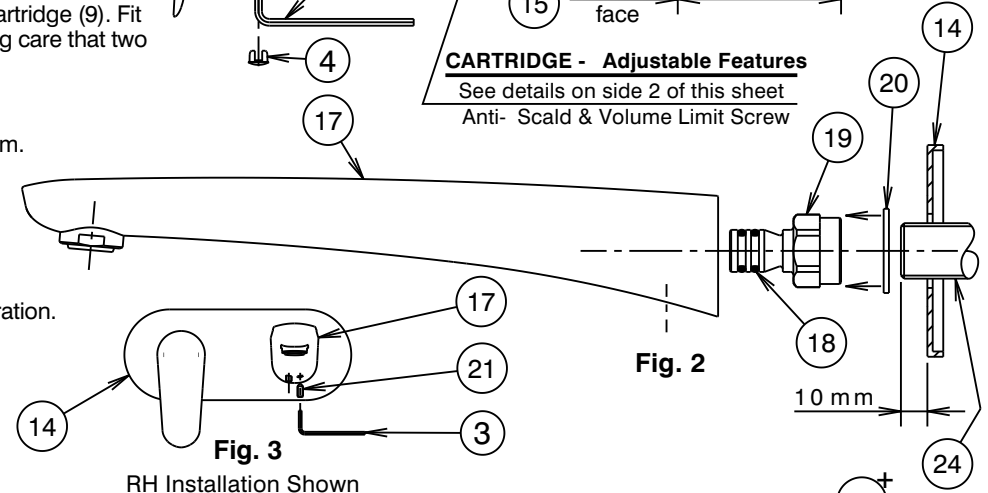
- Turn on Hot and Cold water supplies and check operation.

Replacing Cartridge (Fig. 1)

- Turn off hot and cold water supplies.
- Carefully remove plug (4). Using 2.5mm allen key (3) loosen screw (2) and remove handle (1). Unscrew cap (5) taking care not to damage the decorative finish. Unscrew nut (6), then lift out old cartridge (9).
- Ensure inside of mixer body (11) is clean. Check that seal (10) is in position in base of new cartridge (9). Fit new cartridge (9) into mixer body, taking care that two lugs on base of cartridge (9) fit into mating holes in mixer body (11).
- Screw on nut (6). **Important :** Nut (6) should be tightened to a torque of 10Nm.
- Replace cap (5), tightening by hand. Fit handle (1) taking care that it is pushed fully down, tighten screw (2) and replace plug (4).
- Turn on water supplies and check operation.

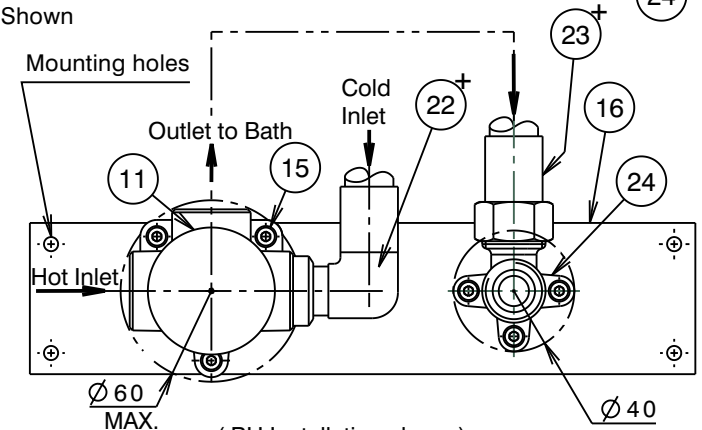


CARTRIDGE - Adjustable Features
See details on side 2 of this sheet
Anti- Scald & Volume Limit Screw



IMPORTANT	
Pressure & Temperature Requirements.	
•	Hot and cold water inlet pressures should be equal.
•	Static Inlet pressure range : 150 - 1000 kPa New Regulation :- 500 kPa maximum static pressure at any outlet within a building. (Ref. AS/NZS 3500.1- 2003, Clause 3.3.4)
•	Maximum hot water temperature : 80°C.

+ Not supplied.



(RH Installation shown)

Fig.4

(SIDE 1 OF 2)

IS1117A(05/11)

Distributed by:
Dorf Clark Industries Limited
ABN 23 004 394 923



FLICKMIXER PLUS - PLATEMOUNTED WALL MIXER & BATH OUTLET RH/LH

+

PLUMBERS ADJUSTMENT INSTRUCTIONS

Adjusting the HOT LIMIT RING (ANTI- SCALD STOP RING)

The cartridge fitted in this mixer has been factory pre- set to deliver the maximum available hot water temperature. To use the ANTI- SCALD feature adjust the cartridge as follows:-

Carefully remove plug (4). Using 2.5mm allen key (3) loosen screw (2) and remove handle (1). Unscrew cap (5) taking care not to damage the decorative finish. (See details on side 1 of this sheet.)

To remove the Hot Limit Ring (7) from the cartridge (9), use a small thin flat bladed screwdriver and carefully lever in an upwards direction.

Rotate the Ring (7) in a clockwise direction then refit the Ring (7) onto the cartridge (9).

Note:- Start by rotating the Ring (7) in small increments, then check the hot water temperature with the mixer handle in the fully open maximum hot water position. The Ring (7) can be removed & repositioned until the desired maximum hot water temperature is achieved.

Ensure the Ring (7) is pushed fully down onto the cartridge (9), then replace cap (5), tightening by hand. Fit handle (1), taking care that it is pushed fully down, tighten screw (2) and replace plug (4).

Adjusting the WATER VOLUME LIMIT SCREW

The cartridge fitted in this mixer has been factory pre- set to deliver the maximum flow of water when the mixer handle is in the fully open position. However the flow of water may be reduced by adjusting the cartridge as follows:-

Carefully remove plug (4). Using 2.5mm allen key (3) loosen screw (2) and remove handle (1). Unscrew cap (5) taking care not to damage the decorative finish. (See details on side 1 of this sheet.)

Using a small thin flat bladed screwdriver, adjust screw (8) in an anti- clockwise direction.

Note:- Start by rotating the Screw (8) in small amounts then check the flow of water with the mixer handle in the fully open position. Readjust the screw until the desired water flow is achieved.

Replace cap (5), tightening by hand. Fit handle (1), taking care that it is pushed fully down, tighten screw (2) and replace plug (4).

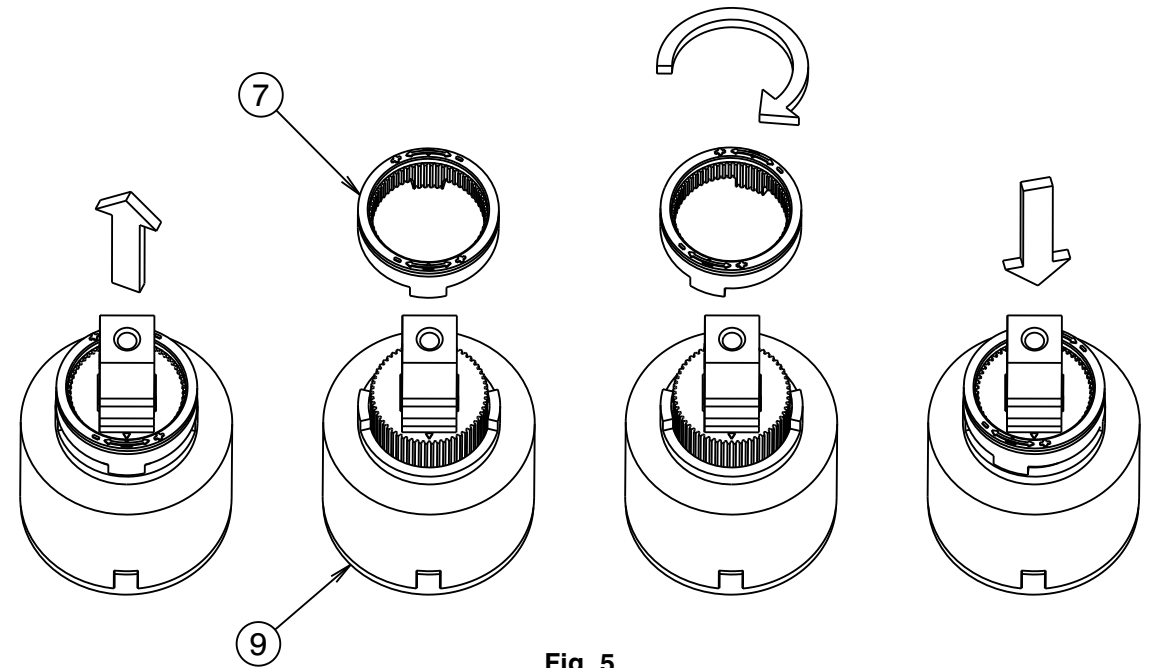


Fig. 5

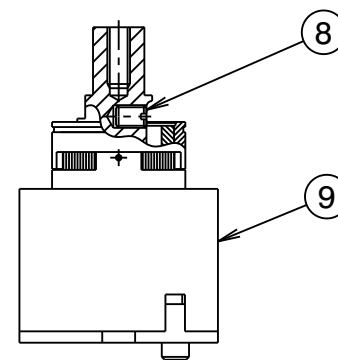


Fig. 6

+