



FLICKMIXER PLUS - WALL BASIN OUTLET

WATER EFFICIENT TAPWARE (NOMINAL FLOW RATE = 5 L/min)

PLUMBERS INSTALLATION INSTRUCTIONS

Important Information

- * Not suitable for gravity feed systems.
- * HOT & COLD WATER INLET PRESSURES MUST BE EQUAL.
- * Basin Outlet is fitted with a 5 L/min flow regulated aerator insert. This low flow rate may not be suitable for connection to some Instantaneous Gas Water Heaters, some Tempering Valves, some Solar Water Heaters & some Thermostatic Mixing Valves.
Check with the manufacturers of these products.
Note:- An 8 L/min aerator insert kit (Part No. 20742), is available if required.
- * All pipework must be thoroughly flushed prior to installation, as foreign materials may block the flow regulating device and reduce the flow of water.
Note: Aerator insert housing must be retightened to prevent removal by hand.

Installation

- 1) Check that threaded nipple (1) is the correct length, as shown. Cut to length if required ensuring end face is square. Apply thread tape to the thread. **Important:** Care must be taken that thread tape cannot become dislodged and block the flow regulating device, causing a reduction in water flow.
- 2) Slide brass washer (3) followed by cover plate (2) onto plain diameter of adaptor (4), as shown. Screw adaptor (4) onto threaded nipple (1) until cover plate (2) is held securely against wall/tile face and the 'dorf' marking is at the top, as shown in Fig. 2. DO NOT OVERTIGHTEN. Apply suitable lubricant to 'O'Rings (5) on adaptor (4).
- 3) Fit wall basin outlet (6) onto spigot of adaptor (4) and position basin outlet against the cover plate (2), taking care not to damage the decorative finish. While the basin outlet is held in the correct position against the cover plate, tighten screws (7) using 2.50mm allen key (8) until the basin outlet (6) is held firmly against the cover plate (2).

Replacing Aerator Insert (Fig. 1)

- 1) Carefully remove aerator housing (9) from basin outlet (6), taking care not to damage the decorative finish.
- 2) Remove 'O'Ring (11) & aerator insert (10) from aerator housing. Check that aerator housing is clean. Deposits of lime can be removed by washing in a vinegar solution.
- 3) Fit new aerator insert (10) into aerator housing (9) followed by 'O'Ring (11) then screw assembly into basin outlet (6) and tighten securely (to prevent removal by hand).

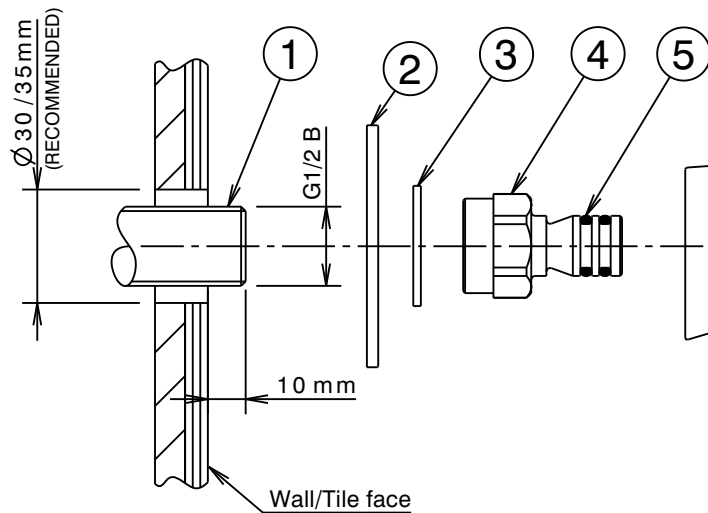


Fig. 1

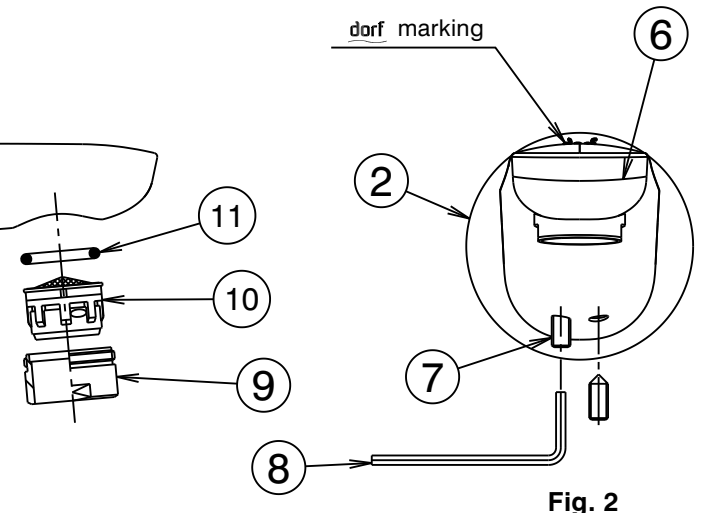


Fig. 2

IMPORTANT	
Pressure & Temperature Requirements.	
•	Hot and cold water inlet pressures should be equal.
•	Static inlet pressure range : 150 - 1000 kPa New Regulation :- 500 kPa maximum static pressure at any outlet within a building. (Ref. AS/NZS 3500.1- 2003, Clause 3.3.4)
•	Maximum hot water temperature : 80°C.

Distributed by:
Dorf Clark Industries Limited
ABN 23 004 394 923

IS1120A(05/11)