



FLICKMIXER PLUS - WALL BATH OUTLET

+

PLUMBERS INSTALLATION INSTRUCTIONS

Important Information

- * All pipework must be thoroughly flushed prior to installation.
- * Turn off hot and cold water supplies before installation.

Installation

- 1) Check that threaded nipple (1) is the correct length, as shown. Cut to length if required ensuring end face is square. Apply thread tape to the thread.
- 2) Slide brass washer (3) followed by cover plate (2) onto plain diameter of adaptor (4), as shown. Screw adaptor (4) onto threaded nipple (1) until cover plate (2) is held securely against wall/tile face and the 'dorf' marking is at the top, as shown in Fig. 2. DO NOT OVERTIGHTEN. Apply suitable lubricant to 'O'Rings (5) on adaptor (4).

IMPORTANT	
<u>Pressure & Temperature Requirements.</u>	
•	Hot and cold water inlet pressures should be equal.
•	Static inlet pressure range : 150 - 1000 kPa New Regulation :- 500 kPa maximum static pressure at any outlet within a building. (Ref. AS/NZS 3500.1- 2003, Clause 3.3.4)
•	Maximum hot water temperature : 80°C.

- 3) Fit bath outlet (6) onto spigot of adaptor (4) and position bath outlet against the cover plate (2), taking care not to damage the decorative finish. While the bath outlet is held in the correct position against the cover plate, tighten screws (7) using 2.50mm allen key (8) until the bath outlet (6) is held firmly against the cover plate (2).

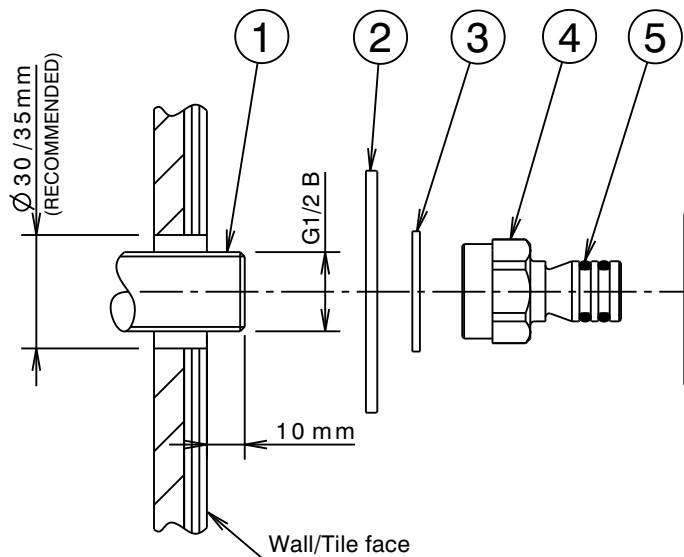


Fig. 1

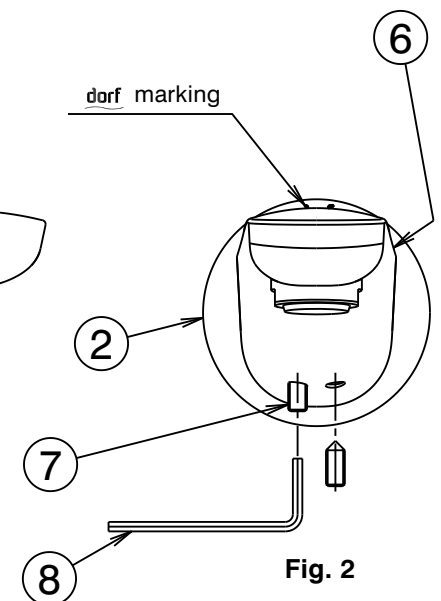


Fig. 2

+