

TRACK ACCESSORIES - TOWEL RAIL DOUBLE

INSTALLATION INSTRUCTIONS

Important Information:

- * Hollow wall anchor (1) is only suitable for use in cavity walls with a tiled surface. If installing into a plasterboard cavity wall (untiled) it is recommended that the accessory be screwed to a stud or noggin into the wall using suitable screws. (Screws not supplied)
 - * To prevent drill from wandering on tiled surfaces it is recommended that masking tape be applied before drilling.
 - * The centre distance between drilled holes must be accurate to ensure a correct fit when the accessory is installed. The centre distance between each base is 585±2mm.
- Note: Drill holes according to the centre distance between base**

Installation

- 1) **SOLID WALLS:** - (Brick, masonry blocks, concrete etc)
- i) Drill holes 6.00mm diameter, 40mm deep.
 - ii) Insert rounded end of wall plugs (2) into drilled holes and tap until flush with the wall surface.
 - iii) Fit screws (4) through top & bottom slots in fixing plates (3) before inserting into wall plugs (2). Check alignment of fixing plates before tightening screws (4).

TILED CAVITY WALLS: - (Plasterboard/tile, fibre cement sheet/tile)

Note: Total wall thickness must be between 8-16mm.

- i) Drill holes 8.00mm diameter.
- ii) Flatten barbs on head flange of wall anchors (1). Insert the wall anchors (1) into the drilled holes until the head flange is against the wall surface.
- iii) Fit the wall anchor M4 screws (5) with washers (6) through the top & bottom slots in fixing plates (3) before screwing them into installed wall anchors. Check alignment of fixing plates before tightening screws (5).

UNTILED CAVITY WALLS: - (Plasterboard)

- i) Determine a suitable position to attach fixing plates (3) so that they can be fixed to a stud or noggin in the wall.
 - ii) Fit suitable screws (not supplied) through top & bottom slots in fixing plates (3) and screw directly into stud or noggin. Check alignment of fixing plates before tightening screws.
- 2) Install towel rail assembly onto fixing plates (3), making sure that fixing screws (8) are located underneath as shown. With towel rail assembly resting securely against wall surface, tighten screws (8) using Allen key (9) provided.

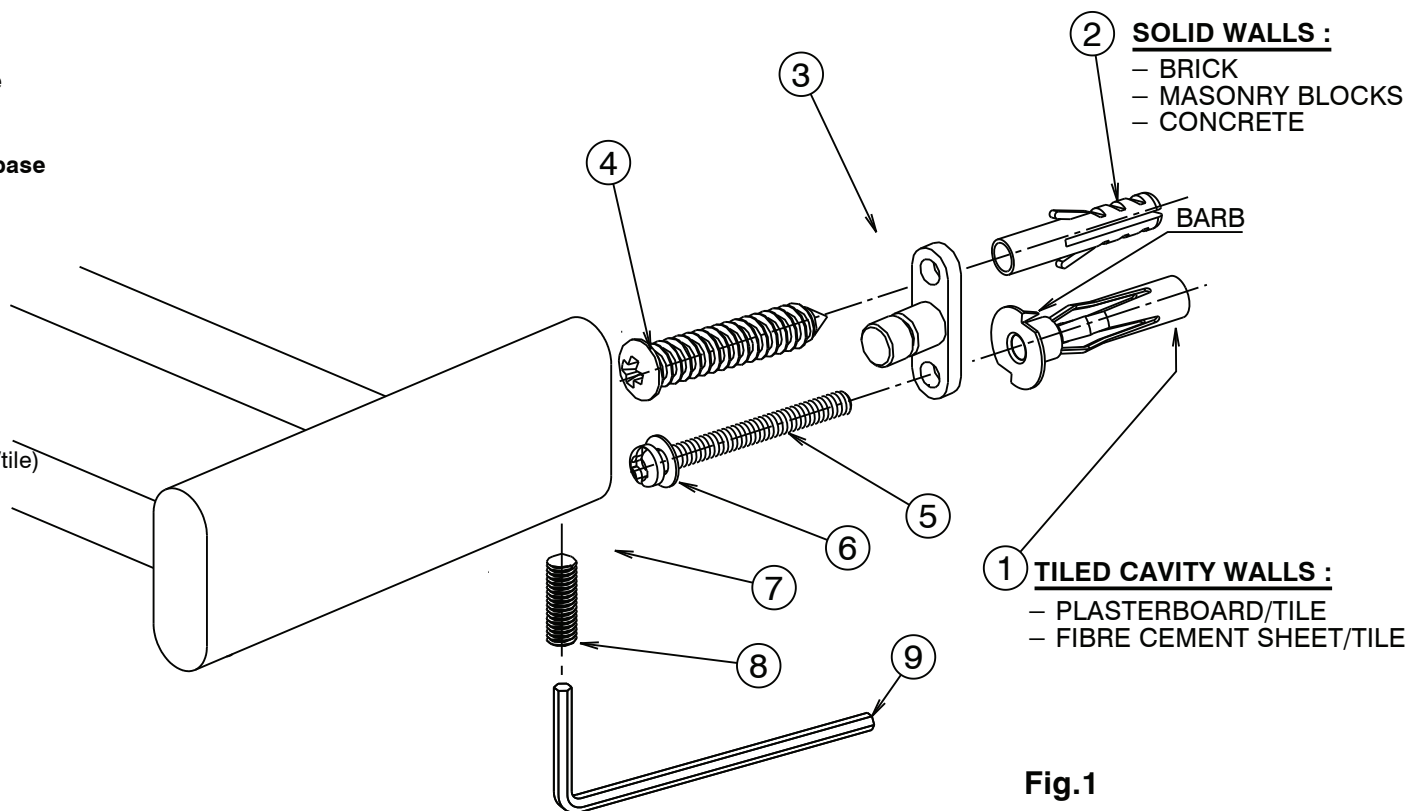


Fig.1