

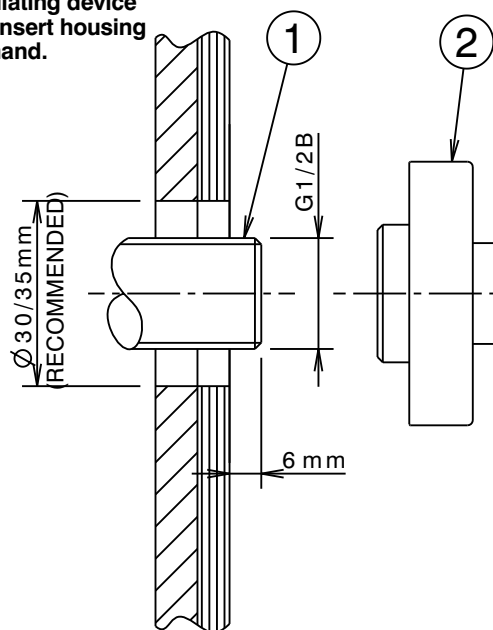
PLUMBERS INSTALLATION INSTRUCTIONS

Important Information

- * Not suitable for gravity feed systems.
- * Basin outlet is fitted with a flow regulated aerator insert. This low flow rate may not be suitable for connection to some Instantaneous Gas Water Heaters, some Tempering Valves, some Solar Water Heaters & some Thermostatic Mixing Valves. Check with the manufacturers of these products. Note:- An aerator insert kit (Part No. SP2000), is available if required. For applications where flow regulation is not suitable (e.g. bath) a full flow aerator insert has been provided within the packaging. To convert the basin outlet to a bath outlet, refer to 'Replacing Aerator Insert'
- * All pipework must be thoroughly flushed prior to installation, as foreign materials may block the flow regulating device and reduce the flow of water. Note: Aerator insert housing must be retightened to prevent removal by hand.

Installation

- 1) Check that threaded nipple (1) is the correct length, as shown (Fig.1). Cut to length if required ensuring end face is square. Apply thread tape to the thread. **Important** : Care must be taken that thread tape cannot become dislodged and block the flow regulating device, causing a reduction in water flow.
- 2) Screw the wall outlet (2) onto the threaded nipple (1) and position as required. DO NOT OVERTIGHTEN.



Replacing Aerator Insert

- 1) Carefully remove aerator housing (5) from wall outlet (2), taking care not to damage the decorative finish.
- 2) Remove seal (3) & aerator insert (4) from aerator housing (5). Check that aerator housing is clean. Deposits of lime can be removed by washing in a vinegar solution.
- 3) Fit new aerator insert (4) into aerator housing (5) followed by seal (3) then screw assembly onto wall outlet (2) and tighten securely (to prevent removal by hand).

IMPORTANT

Pressure & Temperature Requirements.

- Hot and cold water inlet pressures should be equal.
- Static inlet pressure range : 150 -1000 kPa
New Regulation :-500 kPa maximum static pressure at any outlet within a building. (Ref. AS/NZS 3500.1)
- Maximum hot water temperature : 80°C.

Fig.1

