

Caroma TITAN ACCESSORIES

INSTALLATION INSTRUCTIONS

Important Information:

- Wall anchor (1) is only suitable for use in cavity walls with a tiled surface. If installing into a plasterboard cavity wall (untiled) it is recommended that the accessory be attached to the wall in line with a stud or noggin using suitable screws.
- For cavity wall applications, the total wall thickness must be 10-16mm
- The distance between drilled holes must be accurate to ensure correct fit when accessory is installed.
- Ensure hole centres are horizontal before drilling.
- To prevent drill from wandering on tiled surface it is recommended that masking tape be applied before drilling
- Centre distances between each pairs of drilled holes:
-For Towel Rail: 762 ± 2mm
-For Shower Shelf: 410 ± 2mm

Installation

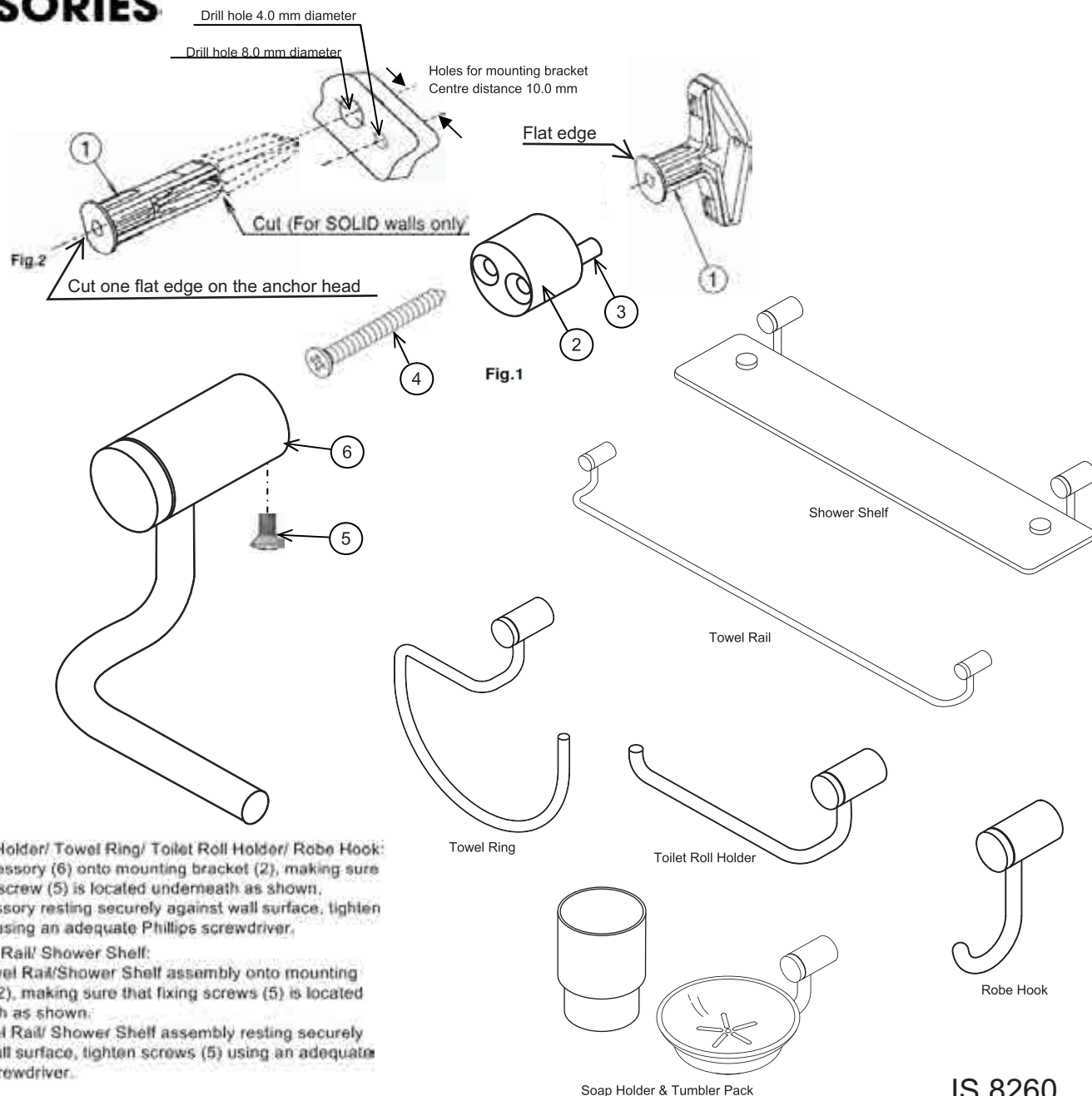
- 1) **SOLID WALLS:** (Brick, masonry blocks, concrete etc)
- Drill a hole 8mm diameter, 50mm deep and a hole 4mm, 10mm deep for each mounting bracket (hole centres must be horizontal with centre-to-centre distance 10mm).
 - Cut the wings of the wall anchor (1) at the elbow joint and cut one flat edge width 8mm on the anchor head parallel to the wings spread direction using scissors or a sharp knife as shown in Fig.2.
 - Squeeze the wings of the wall anchor (1) together and insert into the 8mm drilled hole, ensuring the flat edge of wall anchor (1) are facing to the left vertically (Fig.2) and the anchor head is flush against the wall.
 - Place the mounting bracket against the wall with its pin (3) fitting into the 4mm hole, then pass the screw (4) through the hole of the mounting bracket (2) and assemble into the wall anchor (1). Check alignment of mounting brackets (2) before tightening screws (4).

CAVITY WALLS:

(Gyprock/tile, fibre cement sheet/tile)

Note: Total wall thickness must be between 10-16mm.

- Drill a hole 8mm diameter and a hole 4mm for each mounting bracket (hole centres must be horizontal with centre-to-centre distance 10mm).
- Cut one flat edge width 8mm on the anchor head parallel to the wings spread direction using scissors or a sharp knife as shown in Fig.2.
- Squeeze the wings of the wall anchor (1) together and insert into the 8mm drilled hole, ensuring the flat edge of wall anchor (1) are facing to the left vertically (Fig.2) and the anchor head is flush against the wall.
- Please follow the step iv) shown above in SOLID WALLS.



- 2) For Soap Holder/ Towel Ring/ Toilet Roll Holder/ Robe Hook:
Install accessory (6) onto mounting bracket (2), making sure that fixing screw (5) is located underneath as shown. With accessory resting securely against wall surface, tighten screw (5) using an adequate Phillips screwdriver.

- 2) For Towel Rail/ Shower Shelf:
Install Towel Rail/Shower Shelf assembly onto mounting brackets (2), making sure that fixing screws (5) is located underneath as shown. With Towel Rail/ Shower Shelf assembly resting securely against wall surface, tighten screws (5) using an adequate Phillips screwdriver.