

PLUMBERS INSTALLATION INSTRUCTIONS

Installation

- 1) Check in- wall depth (dimension 'A' in Fig.1) to ensure correct length cartridge (3) has been selected (see Table 1).
- 2) Check seats in recess tap bodies (1) are in good condition and free of foreign materials. Reseat if required.
Important : All pipework must be thoroughly flushed prior to installation, to remove all foreign matter.
- 3) To install ceramic disc cartridges (3), first identify cartridge spindle rotation by seal (2) colour.
Hot Tap: use normal rotation cartridge (red seal).
Cold Tap: use contra rotation cartridge (blue seal).
- 4) Remove locknut (5), cap (4) and fibre washer from cartridge (3). Screw cartridge (3) into tap body (1). Using a suitable spanner, tighten cartridge (1) until it comes to a firm stop. (DO NOT TIGHTEN CARTRIDGE USING SPINDLE). Fit fibre washer and then locknut (5) and tighten using a suitable spanner.
- 5) Ensure handle insert (12) is in position in handle (13). With cartridge spindles in the fully closed position, position handles (13) as shown in Fig (2) before pushing handle (13) fully onto spindle (6). For small adjustments to handle positions, cartridge (3) can be rotated **slightly** in an anti- clockwise direction until handles are aligned (Fig.2) before tightening locknut (5). Remove handles (13).
- 6) Fit coloured dress rings (7) accordingly (yellow replaces red for tempered water supply). Screw wall flange (8) over each installed cartridge, and tighten fully by hand against wall/tile face, taking care not to damage the decorative finish.
- 7) Fit handle assembly as follows:-
i) Turn both spindles to the fully closed position.
ii) Place retaining nut (10) over spindle (6), with slot facing flange (8).
iii) Place retaining clip (11) into groove at bottom of spline in spindle (6).
iv) Ensure handle insert (12) is in position in handle (13). Fit handle (13) to spline of spindle, position handle as before then push firmly onto spindle until it bottoms internally. Screw retaining nut (10) into handle and tighten with spanner (9) provided.

IMPORTANT
<u>Pressure & Temperature Requirements.</u>
<ul style="list-style-type: none"> Hot and cold water inlet pressures should be equal. Static Inlet pressure range : 150 - 1000 kPa New Regulation :- 500 kPa maximum static pressure at any outlet within a building. (Ref. AS/NZS 3500.1- 2003, Clause 3.3.4) Maximum hot water temperature : 80°C.

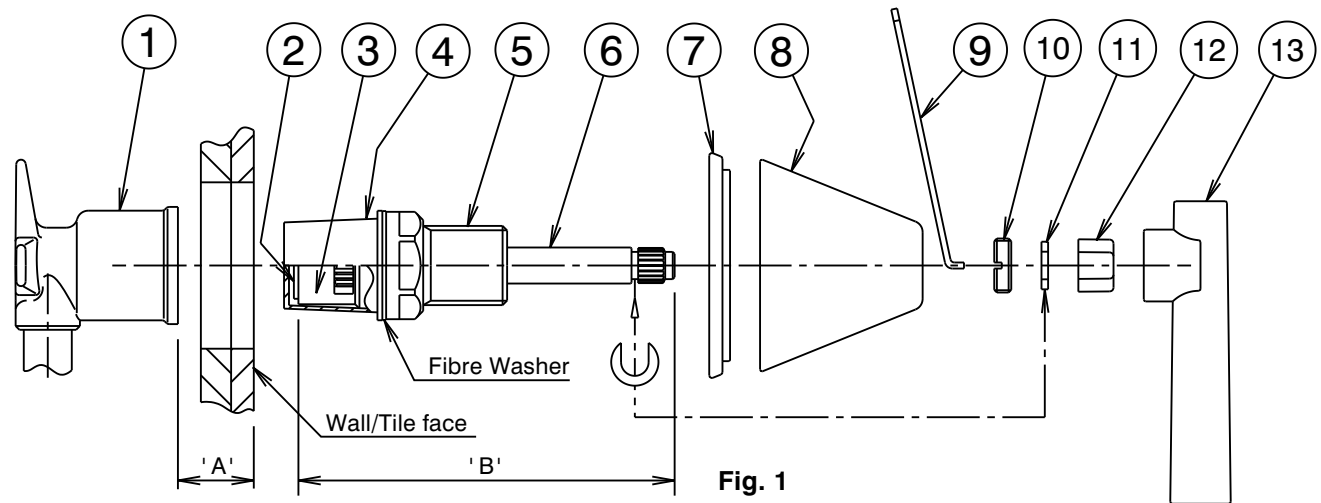
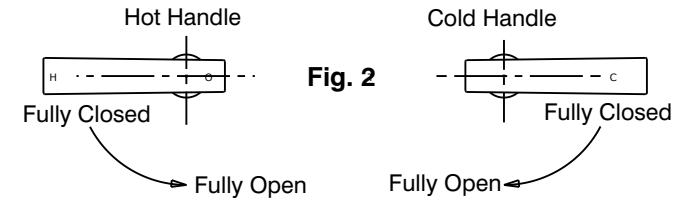


Table 1

Dimension 'A'	Cartridge Ass'y	Dimension 'B'
0 - 13mm	Standard Length	106.0mm
13 - 26mm	13mm Extended	119.0mm