

Plumbers Installation Instructions For Liano Ceramic Wall Basin / Lavatory

PLEASE READ CAREFULLY BEFORE INSTALLATION

LIANO WALL BASIN/LAVATORY INSTALLATION

Procedure D.200 Fixing/Anchor Screw Kit.

IMPORTANT

Provide suitable reinforcement behind finished wall for the basin/lavatory D.200 Fixing/Anchor Screws at the fixing height position.

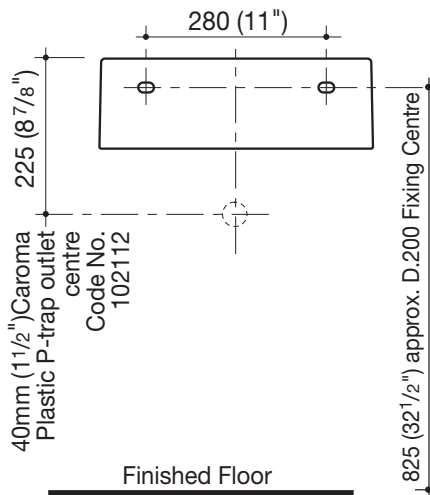
Roughing in for D.200 Fixing/Anchor Screw Kit :

For timber stud walls, noggins and studs must be positioned at a height to allow for the location of fasteners as detailed in **Figure 1**.

BASIN/LAVATORY INSTALLATION WITH D.200 FIXING / ANCHOR SCREW KIT

- 1- Mark fixing/anchor screw hole position on finished wall at the recommended height as detailed in **Figure 1**.
- 2- Drill two Ø12mm (1/2" dia.) holes in masonry wall for expansion fasteners. For timber stud walls drill two Ø8mm (3/8" dia.) holes for Fixing/Anchor Screws.
- 3- Insert expansion fasteners into the drilled holes in masonry wall. Screw Fixing/Anchor Screws into the wall using the flats located on the screws section of the stud and spanner as shown in **Figure 2**. Allow 55mm (2 1/8") of thread to protrude from the finished wall.
- 4- Fit taps/faucet and waste/drain assembly to the basin / lavatory.
- 5- Locate basin/lavatory onto the Fixing/Anchor Screws on the wall. Insert plastic bushes, metal washers and fasten to wall with fixing nut. To complete assembly as detailed in **Figure 3**.
- 6- The Plastic Bush allows for leveling adjustment if required by rotating the hexagonal head bush, the basin/lavatory will be slightly raised or lowered as shown in **Figure 3**.
- 7- Tighten fixing nuts and connect plumbing to complete the installation.

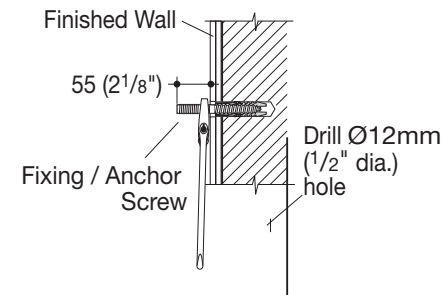
Fixing Positions D.200 Fixing / Anchor Screw Kit



For Pedestal Refer to
Pedestal Installation

Fig 1

Fixing / Anchor Screw Masonry Walls Installation



Fixing / Anchor Screw Timber Stud Walls Installation

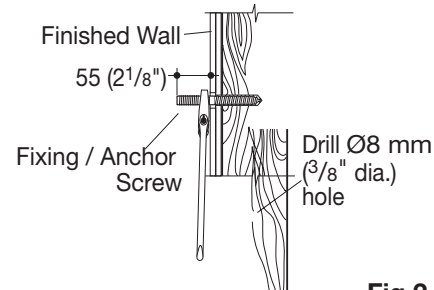


Fig 2

D.200 Fixing / Anchor Screw Kit Completed Installation

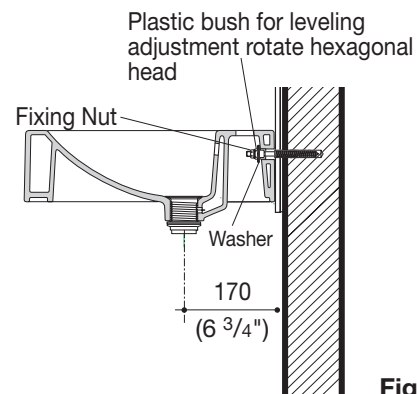


Fig 3

D.200 Basin / Lavatory Fixing / Anchor Screw Kit

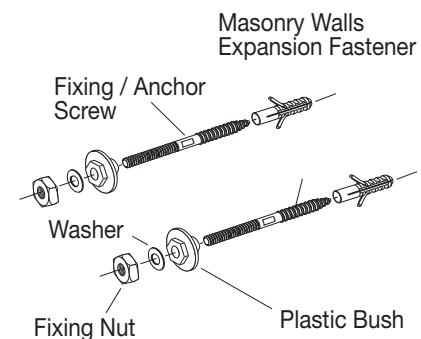


Fig 4