

VITREOUS CHINA URBANE WALL HUNG PAN PLUMBERS INSTALLATION INSTRUCTIONS PLEASE READ CAREFULLY BEFORE INSTALLATION

INSTALLATION PROCEDURE FOR URBANE WALL HUNG PAN

NOTE - Installation must be on a non-compressible wall material.

- 1 - Install Caroma bracket and pipework to specified dimensions, as detailed in **Fig. 3**.
- 2 - Ensure the contact area on the wall for fitting the pan is flat and true. Check with straight edge before installation.
- 3 - Set the length of the fixing studs 38mm from the finished wall surface, as detailed in **Fig. 5**.
- 4 - Set the inlet pipe to 29mm from the finished wall.
- 5 - Fit Keeseal onto the inlet pipe.
- 6 - Fit rubber gasket into position.
- 7 - Fix the mounting sleeves onto fixing studs so that 10mm of thread is exposed in front of the gasket, as detailed in **Fig. 1**.
- 8 - Make sure the fixing notch in the sleeves are facing outwards towards the fixing holes in the pan.
- 9 - Fit the plastic fixing bushes into the holes provided with the grub screw facing the fixing holes in the side of the pan, as detailed in **Fig. 2**.
- 10 - Smear pan collar and inlet Keeseal with soap solution for push on installation of pan.
- 11 - Install the pan onto the fixing sleeves ensuring engagement onto the inlet pipe and pan collar and hold in position.
- 12 - Insert fixing key through the fixing holes in the side of the pan and tighten the grub screws to a maximum torque 7Nm [62 lbf-in] on both sides to hold the pan onto the bracket.
- 13 - Fit toilet seat.
- 14 - For optimum installation, it is recommended that the joint between the pan and finished wall be caulked with acetic cured silicone sealant.

Fixing Detail

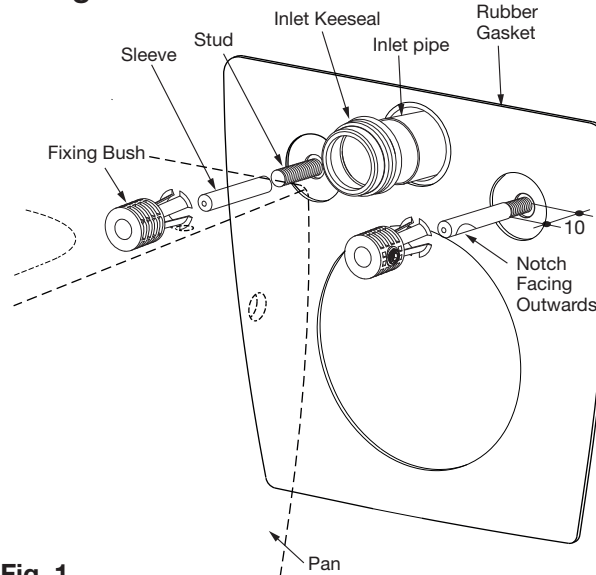


Fig. 1

Fixing Detail

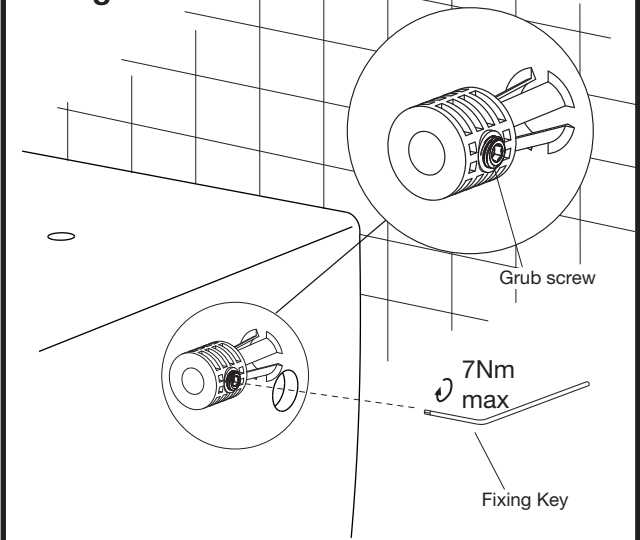


Fig. 2

Set-Out Dimension for Urbane Pan

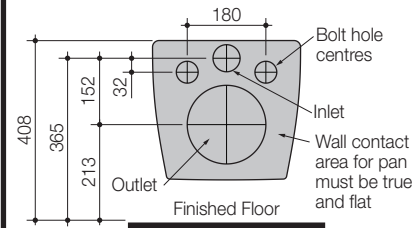


Fig. 3

Inlet Detail

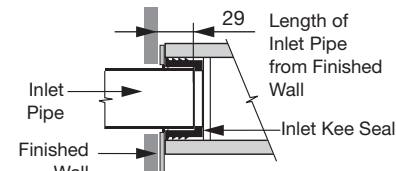


Fig. 4

Installation Detail

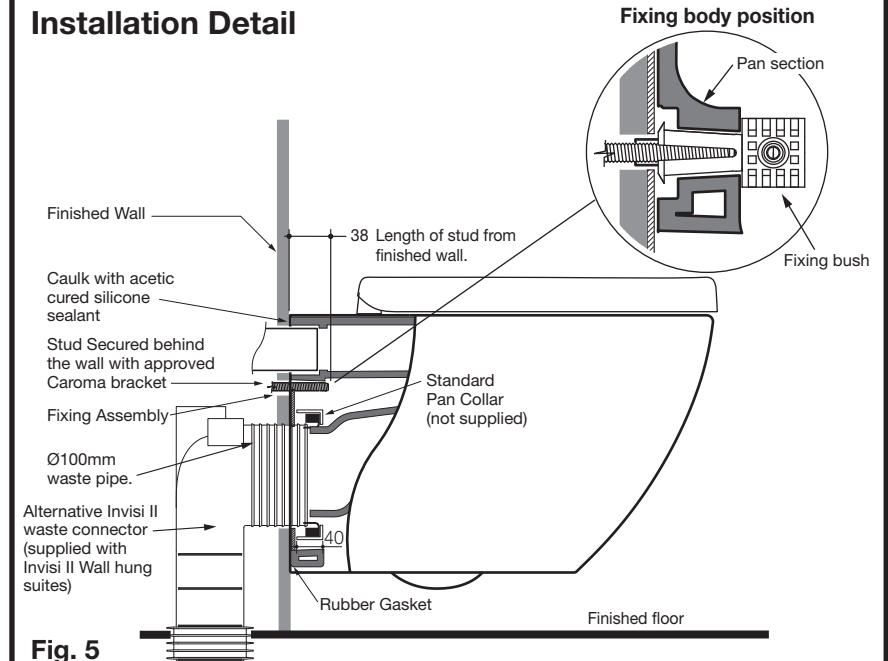


Fig. 5

INCLUDED :

- D.990 Fixing kit (1)
- Rubber Gasket (1)
- 50mm Keeseal (1)

All measurements are subject to accepted manufacturing tolerances. To ensure accuracy please check actual product dimensions before drilling for installation. The manufacturer reserves the right to change specifications at any time without giving prior notification. This product should be installed by a qualified plumber. Local authority, Water Board, and Building Regulations may apply to the installation of this product, and you should consult the appropriate bodies on these requirements.