

Concorde

Vitreous China Wall Basin

Basin Size: 500mm x 370mm (nominal)



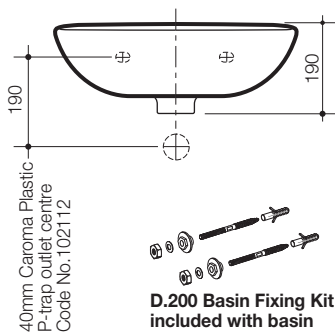
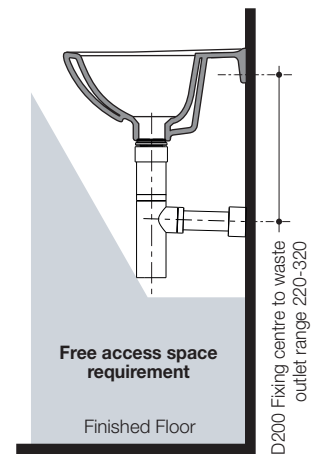
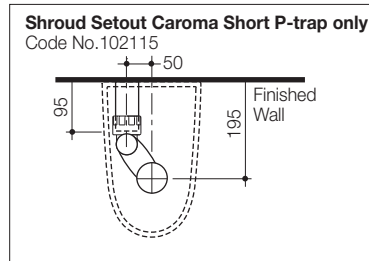
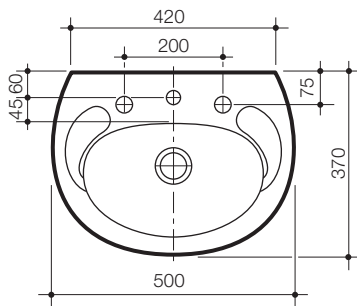
Mixer is shown for photographic purposes only

A standard compact size basin featuring smooth contours for ease of cleaning. The **Concorde** has two soap holders and has been designed to co-ordinate with other products in the Concorde range and is available with the option of a shroud and direct to the wall fixing. The compact size of the basin allows it to be used in areas where space is a premium. The basin is suitable for domestic, commercial and accessible applications & complying to AS 1428.1-2009 Amd. 1.*

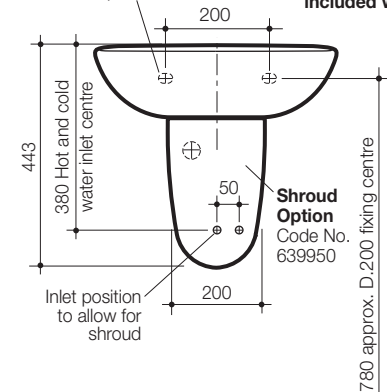
- Tap Holes:** Basin available in: one taphole – centre option Code No.631010; three taphole option Code No.631030.
- Tapware - other than sole occupancy unit:** All electronic and basin care mixers referred to in section 19 comply to AS1428.1-2009 Amd. 1 installations other than sole occupancy unit when matched with this basin.
- Tapware - sole occupancy unit:** Recommended tapware for sole occupancy unit for compliance to AS1428.1-2009 Amd. 1; **Electronic Tapware:** Designo and Designo Solar. See section 19 for further details.
- Waste Outlet:** Chrome flush fitting waste and white plug supplied, suitable for a 40mm trap connection. Alternative waste options are available — Chrome grate waste and white plug Code No.687328C, Vandal Resistant Flush Fitting Plug and Chrome Waste Code No.687141, Covered Plug and Waste Code No.687142 and Vandal Resistant Covered Chrome Plug and Waste Code No.687143.
- Shroud:** Shroud, Code No.639950, completely conceals P-trap waste pipe fittings. Use D.210 fixing clip suitable with D.200 bracket options and 40mm Caroma short plastic P-trap Code No.102115.
Note: It is essential for the installation of the shroud to the basin that clearance is provided for the shroud in the plumbing setout from water inlet pipes and connections.
- Bowl Capacity:** 5.5 litres.
- Overflow:** Overflow not available.
- Colours:** White only.

* Reference must be made to the AS 1428.1-2009 Amd. 1 to confirm installation requirements.

All dimensions are in millimetres and are subject to normal manufacturing variations. Caroma pursues a policy of continuing improvement in design and performance of its products. The right is therefore reserved to vary specifications without notice.



D.200 basin fixing kit hole centre positions



D.210 Concealed Fixing Clip Assembly included with shroud

