

WATER EFFICIENT TAPWARE

PLUMBERS INSTALLATION INSTRUCTIONS

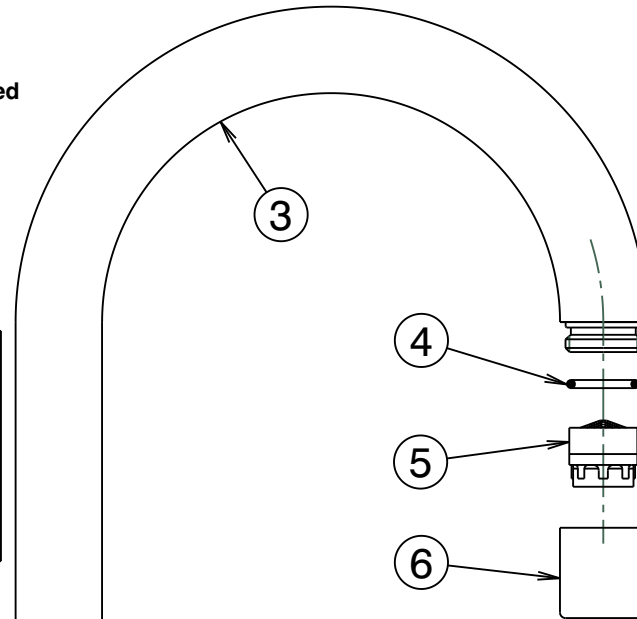
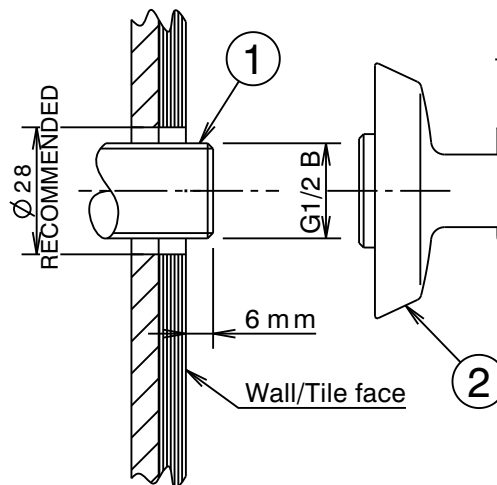
Important Information

- * Not suitable for gravity feed systems.
- * If the outlet (3) is required to swivel, it is recommended that it is converted prior to installation (see Fig.2).
- * The outlet is fitted with a flow regulated aerator insert.
- * All pipework must be thoroughly flushed prior to installation, as foreign materials may block the flow regulating device and reduce the flow of water.
Note: Aerator insert housing must be retightened to prevent removal by hand.

IMPORTANT

Pressure & Temperature Requirements.

- Hot and cold water inlet pressures should be equal.
- Static inlet pressure range : 150 -1000 kPa
New Regulation : -500 kPa maximum static pressure at any outlet within a building. (Ref. AS/NZS 3500.1)
- Maximum hot water temperature : 80°C.



Installation (Fig.1)

- 1) Check that threaded nipple (1) is the correct length, as shown. Cut to length if required ensuring end face is square. Apply thread sealant or tape to the thread.
Important : Care must be taken that thread tape cannot become dislodged and block the flow regulating device, causing a reduction in water flow.
- 2) Screw the inlet of the wall base (2) onto the threaded nipple (1) and position as required, taking care not to damage the decorative finish.
DO NOT OVERTIGHTEN.

Cleaning the Aerator Insert

- 1) Carefully remove housing (6) from outlet tube (3), taking care not to damage the decorative finish.
- 2) Remove 'O'ring (4) & aerator insert (5) from housing (6). Check that housing is clean. Deposits of lime can be removed by washing in a vinegar solution.
- 3) Fit aerator insert (5) into housing (6) followed by 'O'ring (4) then screw assembly onto outlet tube (3) & tighten securely (to prevent removal by hand).

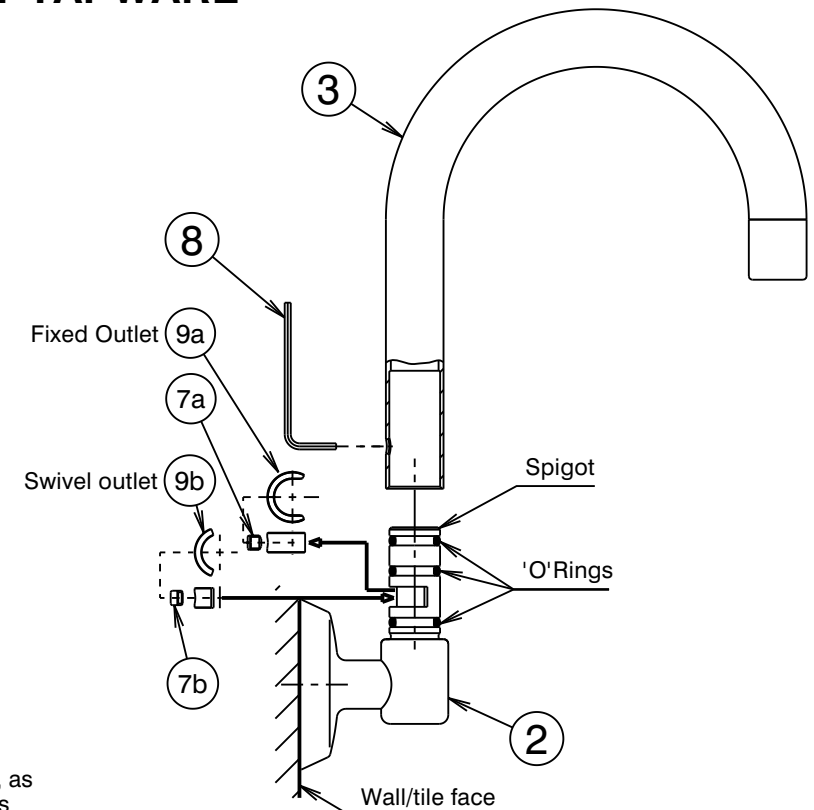


Fig. 2

Converting the outlet from fixed to swivel (Fig.2)

The outlet (3) is supplied as fixed. To convert to 100° restricted swivel proceed as follows:

- 1) Remove screw (7a) using a 2mm allen key (8). Carefully slide the outlet (3) from the spigot of base (2), remove retainer (9a) & fit the alternate retainer (9b) supplied.
- 2) Ensure suitable lubricant is applied to the retainer & 'O' rings, then carefully slide the outlet (3) onto the spigot of base (2). Rotate the outlet (3) to align the hole in the outlet with the threaded hole in the retainer (9b) then fit screw (7b) and tighten.