

## PLUMBERS INSTALLATION INSTRUCTIONS

### Important Information

- \* All pipework must be thoroughly flushed prior to installation.
- \* Turn off water supply before installation.

### Installation

- 1) Check that threaded nipple (2) is the correct length, as shown. Cut to length if required ensuring end face is square. Apply thread sealant or tape to the thread.
- 2) Place the cover plate (1) over the threaded nipple (2). Screw the tap body (3) onto the threaded nipple (2) and position as required. DO NOT OVERTIGHTEN.

### **IMPORTANT**

#### **Pressure & Temperature Requirements.**

- Hot and cold water inlet pressures should be equal.
- Static inlet pressure range : 150 -1000 kPa  
New Regulation : -500 kPa maximum static pressure at any outlet within a building. (Ref. AS/NZS 3500.1)
- Maximum hot water temperature : 80°C.

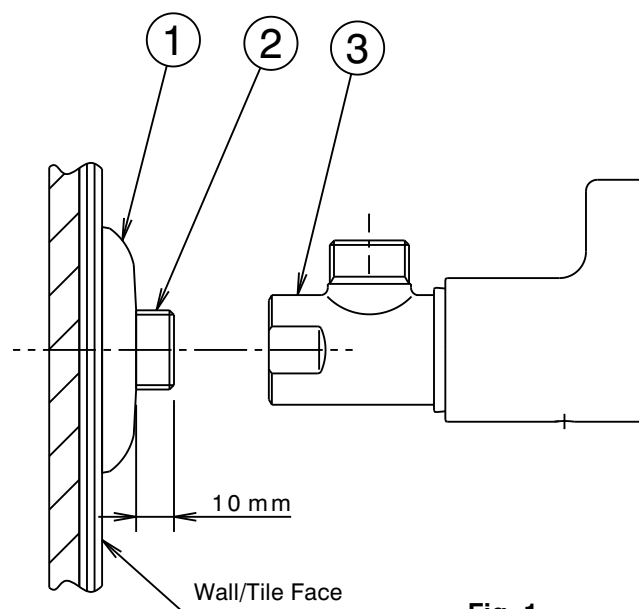


Fig. 1