

PLUMBERS INSTALLATION INSTRUCTIONS

Important Information

- * For warranty details refer to www.clark.com.au
- * All pipework must be thoroughly flushed prior to installation.
- * Turn off hot and cold water supplies before installation.

Installation

- 1) Check that threaded nipple (2) is the correct length, as shown. Cut to length if required ensuring end face is square. Apply thread tape to the thread.
- 2) Place the cover plate (1) over the threaded nipple (2). Screw the tap body (3) onto the threaded nipple (2) and position as required. DO NOT OVERTIGHTEN.
- 3) Fit handle assembly as follows:-
 - i) Turn both spindles (4) to the fully closed position.
 - ii) Place retaining nut (6) over spindle (4), with slot facing wall.
 - iii) Place retaining clip (7) into groove at bottom of spline in spindle (4).
 - iv) Ensure handle insert (8) is in position in handle (9). Fit handle (9) to spline of spindle, position to suit then push firmly onto spindle until it bottoms internally. Screw retaining nut (6) into handle and tighten with spanner (5) provided.

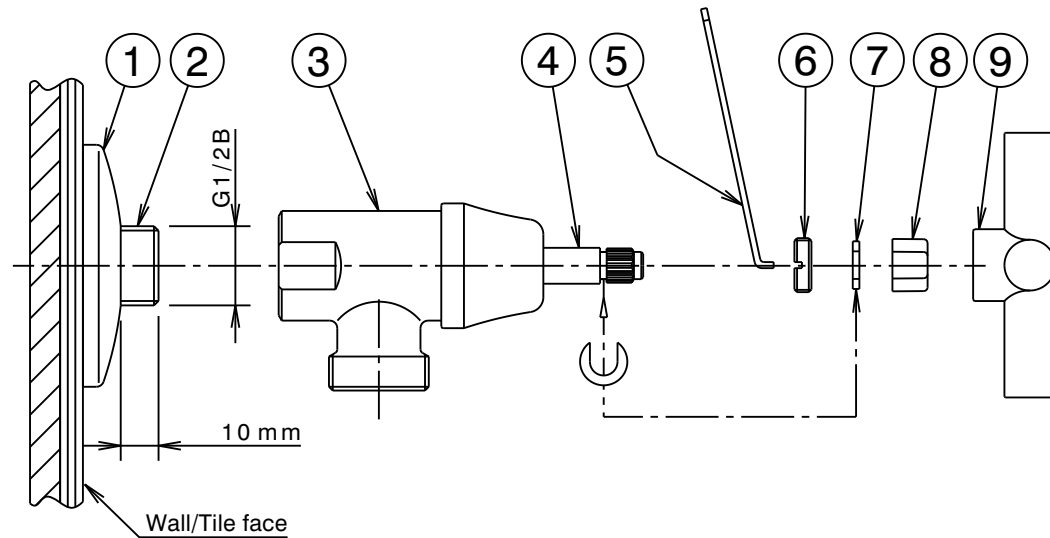


Fig. 1

IMPORTANT

Pressure & Temperature Requirements.

- Hot and cold water inlet pressures should be equal.
- Static inlet pressure range : 150 -1000 kPa
New Regulation:- 500 kPa maximum static pressure at any outlet within a building. (Ref. AS/NZS 3500.1)
- Maximum hot water temperature : 80°C.