

Caroma®

Universal Close Coupled Cistern

PLUMBER'S INSTALLATION INSTRUCTIONS

**PLEASE READ CAREFULLY BEFORE INSTALLATION
THESE CISTERN INSTRUCTIONS SUPERSEDE
INSTRUCTIONS IN THE PAN CARTON**

CLOSE COUPLED CISTERN FIXING PROCEDURE

Standard Right Hand Bottom Inlet

Note: The inlet valve can be changed from right to left.

The cistern fixes directly to the pan with a robust base fixing system without the need for wall fixing.

- 1- Securely attach the self-adhesive Foam Seal around the outlet on the base of cistern, as detailed in **Fig. 2**. Remove outlet valve to gain access to the cistern fixing holes.
- 2- Connect flexible hose to inlet valve and thread other end of flexible hose through side hole on pan, as detailed in **Fig. 2**. Position cistern onto pan and align the cistern fixing holes with the threaded fixing holes located in the cistern platform. Fit the seals onto the Winged Fixing Bolts.
- 3- Insert the Winged Fixing Bolts through the cistern fixing holes into the threaded fixing holes located in the pan. Gradually tighten the left and right hand nuts by hand to firmly secure the cistern to pan, as detailed in **Fig. 3**.
- 4- Refit the outlet valve into position.
- 5- Flush the lines and connect water supply and check operation of cistern.
- 6- Adjust water level. Turn on water mains. Open the Cistern Stop Valve and check the operation of the mechanisms and valve. Adjust water level to the water level mark inside the cistern by simply turning the float arm adjustment screw in a clockwise or anti clockwise direction as detailed in **Fig. 4**.
- 7- Fit lid to check push button operation to complete installation.

Back inlet installation

- 1- Securely attach the self-adhesive Foam Seal around the outlet on the base of cistern, as detailed in **Fig. 2**. Remove outlet valve to gain access to the cistern fixing holes.
- 2- Position cistern onto pan and align the cistern fixing holes with the threaded fixing holes located in the cistern platform. While lowering cistern onto pan, angle the top of the cistern away from the wall until the cut-out clears the connection nipple in the wall. Fit the seals onto the Winged Fixing Bolts.
- 3- Insert the Winged Fixing Bolts through the cistern fixing holes into the threaded fixing holes located in the pan. Gradually tighten the left and right hand nuts by hand to firmly secure the cistern to pan, as detailed in **Fig. 3**.
- 4- Fit Cistern Stop Valve (supplied) to the 1/2" B.S.P. nipple in the wall using approved thread seal, in the downward angled position 45° to the right hand side, as detailed in **Fig. 5**.
- 5- Flush the lines before connecting the flexible hose to the Cistern Stop Valve and ensure the hose is not rubbing against the inside of the cistern.
- 6- Turn on water mains. Open Cistern Stop Valve and check for leaks and operation of mechanisms and valves. Ensure there is no leakage from the cistern into the pan.
- 7- Adjust water level to the 4.5 litre water level mark inside the cistern by simply turning the float arm screw in a clockwise or anti-clockwise direction as detailed in **Fig. 5**.
- 8- Fit cistern lid to check flush button operation to complete installation.

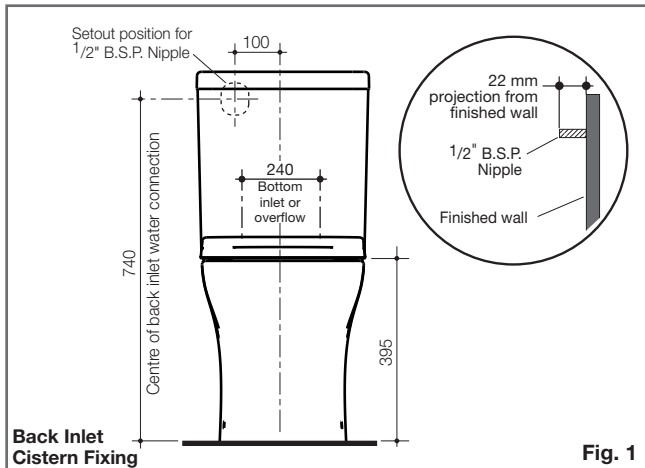


Fig. 1

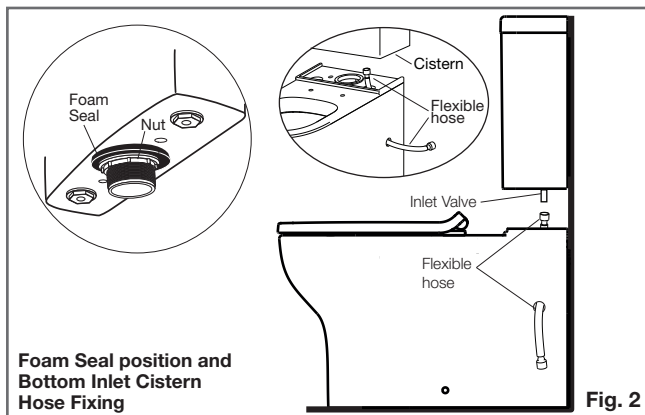


Fig. 2

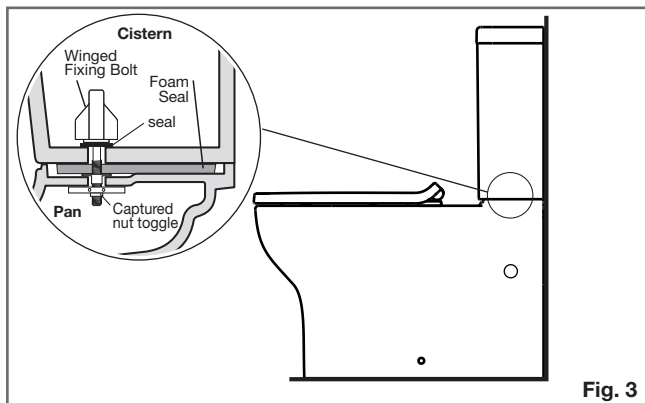


Fig. 3

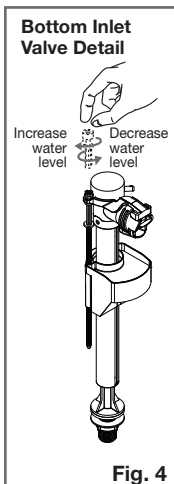


Fig. 4

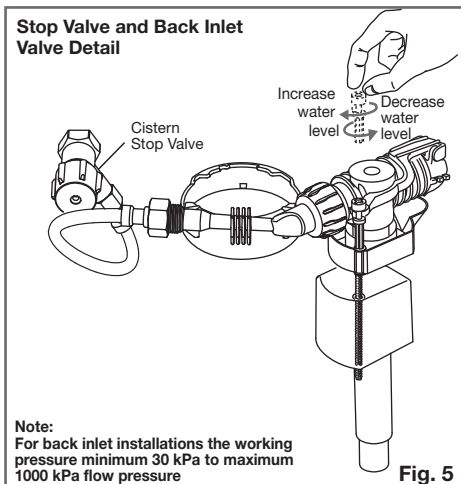


Fig. 5

Note:
For back inlet installations the working pressure minimum 30 kPa to maximum 1000 kPa flow pressure



IMPORTANT

TO ACHIEVE A SATISFACTORY 4.5/3L FLUSH PERFORMANCE AND A 4 STAR WATER EFFICIENCY RATING THE CISTERN MUST BE MATCHED WITH A COMPATIBLE CAROMA SMARTFLUSH 4.5/3L TOILET PAN.

All measurements are subject to accepted manufacturing tolerances. To ensure accuracy please check actual product dimensions before drilling for installation. The manufacturer reserves the right to change specifications at any time without giving prior notification. This product should be installed by a qualified plumber. Local authority, Water Board, and Building Regulations may apply to the installation of this product, and you should consult the appropriate bodies on these requirements.