

Flat Pack Double Tub & Cabinet Assembly Instructions

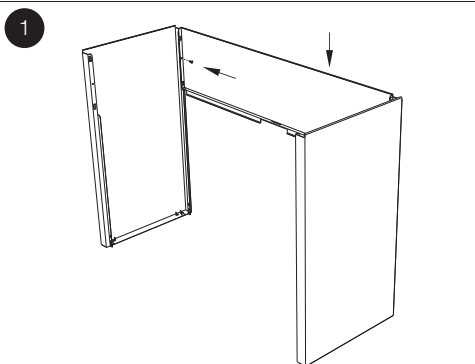
(see reverse for part numbers)

CAUTION: Whilst all care is taken during the manufacture of this product there may be sharp edges on some of the steel components. It is, therefore, recommended that to prevent injury suitable gloves are worn whilst assembling this product.

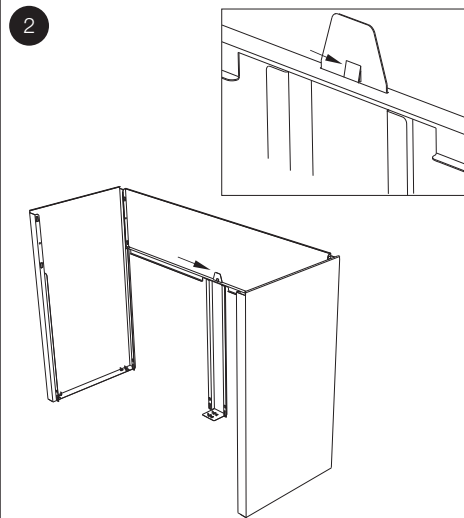
CLARK®

Part of my life.

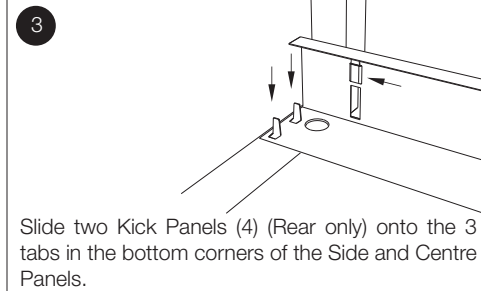
The Cabinet has been manufactured from quality materials. To ensure you receive the Cabinet in the same quality that it left our plant, it has been covered with a protective plastic material. Please remove this before assembly.



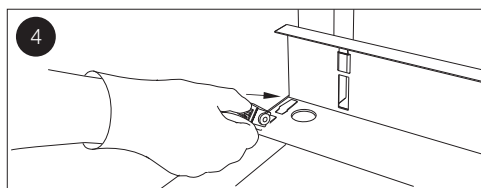
Slide one Front/Rear Head Panel (2) onto Side Panels (1) and snap Panel Fixing Clips (3) into place.



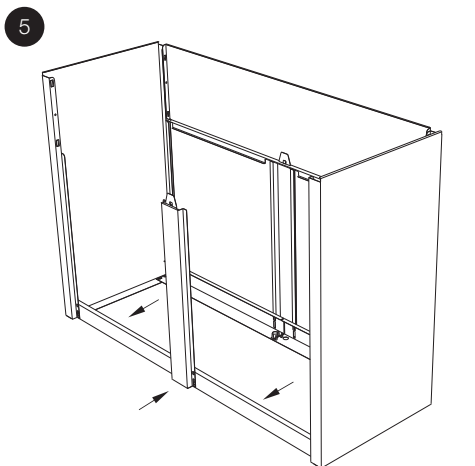
Insert one of the Centre Panels (11) into the Head Panel (2) ensuring the locking tab snaps into place.



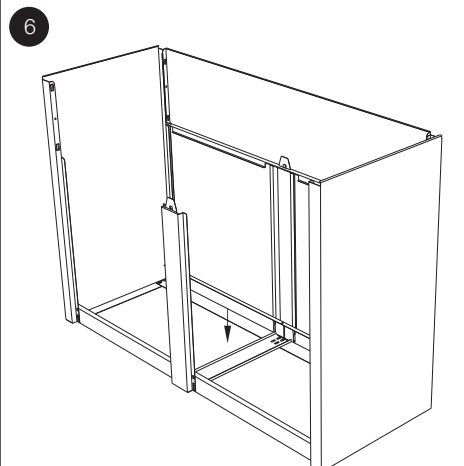
Slide two Kick Panels (4) (Rear only) onto the 3 tabs in the bottom corners of the Side and Centre Panels.



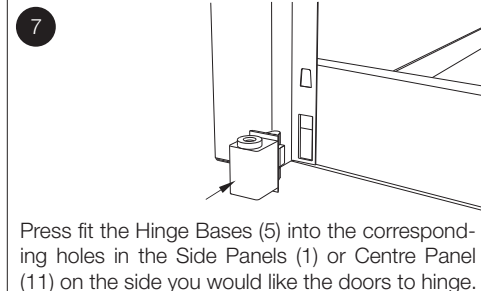
Using a Hinge Base (5) as an assembly aid flatten the Side Panel (1) tabs to lock the panels together. Do not flatten the tabs on the Centre Panel (11) at this stage.



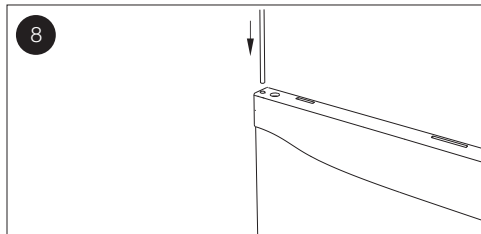
Slide the remaining Kick Panels (4) onto the Side Panel (1) tabs and the remaining Centre Panel (11).



Insert the Bottom Brace (13) and flatten all of the remaining tabs.



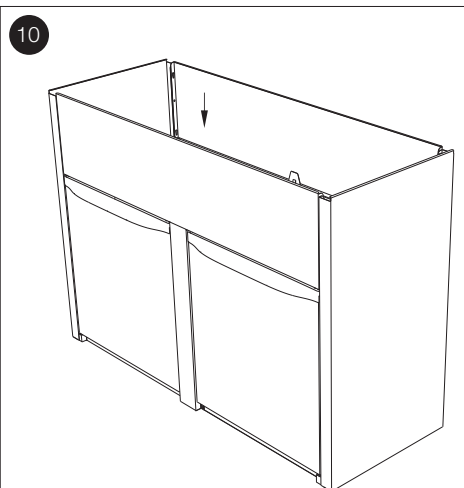
Press fit the Hinge Bases (5) into the corresponding holes in the Side Panels (1) or Centre Panel (11) on the side you would like the doors to hinge.



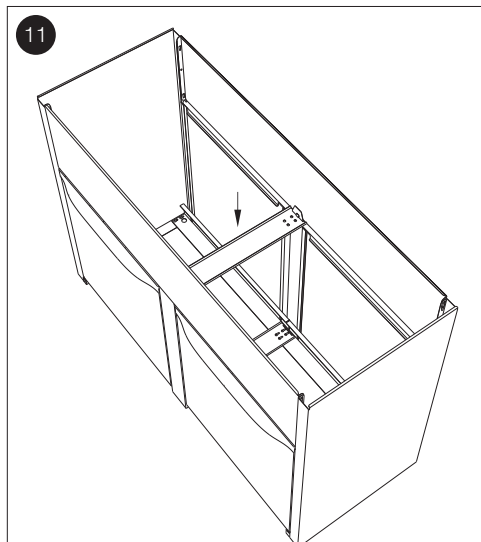
Insert a Hinge Rod (6) through the holes on each of the Door Assemblies (7).



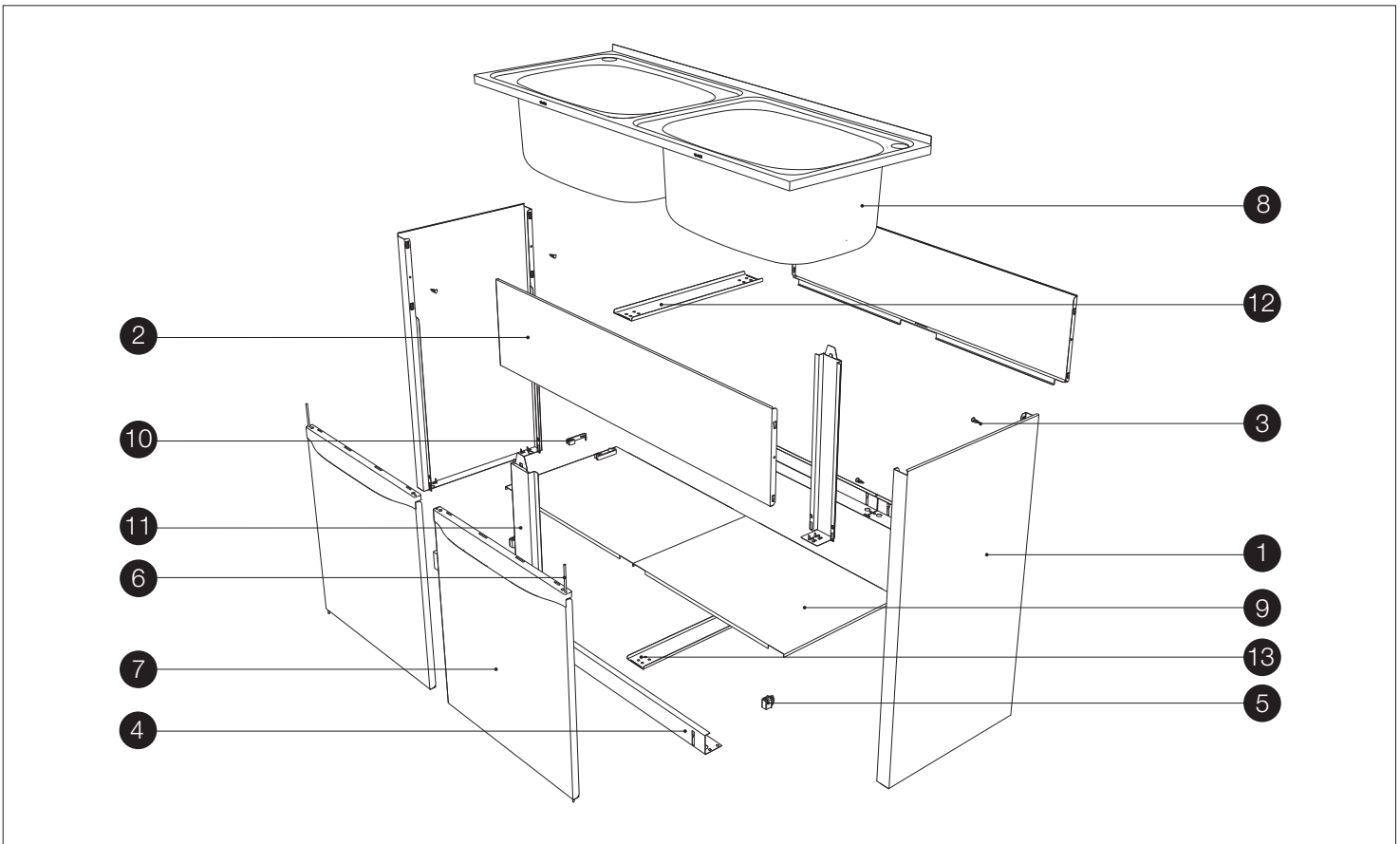
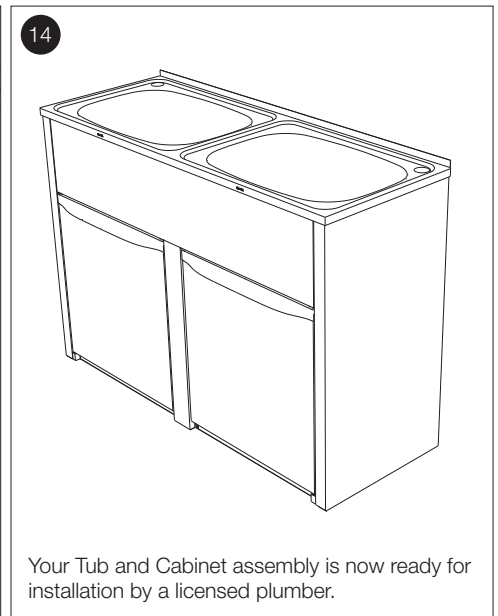
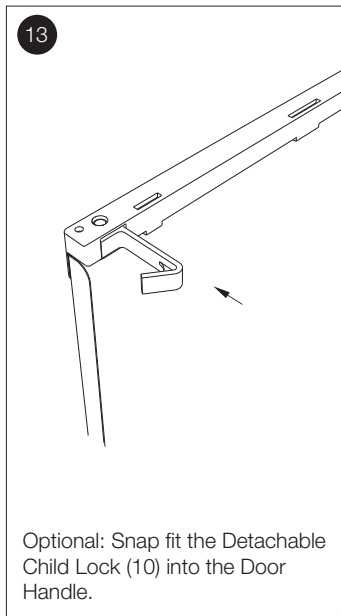
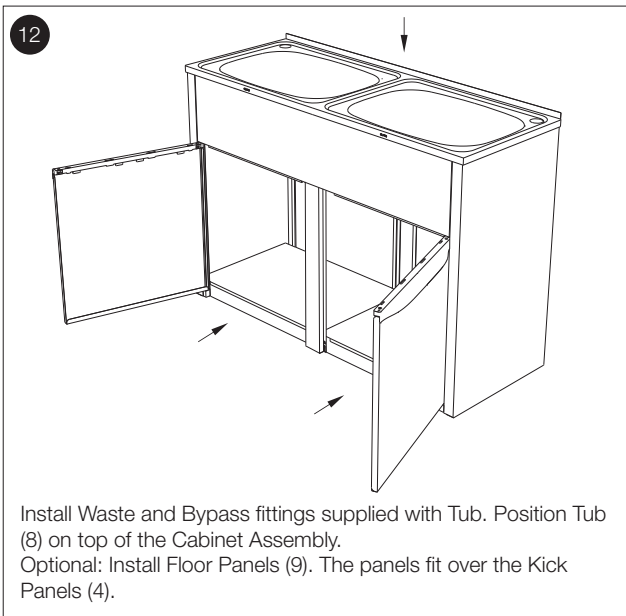
Align and insert the Door Assemblies (7) with the corresponding holes in the Hinge Bases (5).



Align the second Front/Rear Head Panel (2) with the Side Panels (1) and Centre Panel (11), then slide over the Door Hinge Rods (6). Snap the remaining two Panel Fixing Clips (3) into position.



Install the Top Brace (12) onto both Centre Panels (11).



| No. | Parts List: | Qty |
|-----|------------------------|-----|
| 1 | Side Panel | 2 |
| 2 | Front/Rear Head Panel | 2 |
| 3 | Panel Fixing Clips | 4 |
| 4 | Front/Rear Kick Panel | 4 |
| 5 | Hinge Base | 2 |
| 6 | Door Hinge Rod | 2 |
| 7 | Door Assembly | 2 |
| 8 | 45L Double Tub | 1 |
| 9 | Floor Panel (Optional) | 2 |
| 10 | Child Lock (Optional) | 2 |
| 11 | Centre Panel | 2 |
| 12 | Top Brace | 1 |
| 13 | Bottom Brace | 1 |

(Includes Door, Handle and Magnetic Strips)