

CLARK ROUND BLADE PROGRESSIVE- BATH/SHOWER MIXER

PLUMBERS INSTALLATION INSTRUCTIONS

Important Information

- * For warranty details refer to www.clark.com.au
- * Trim kit (1-5) & body kit (6-10) are sold separately.
- * Brazed connections should NOT be made directly onto the mixer, as excessive heat will cause permanent damage.
- * Final install must be checked at rough-in stage (step 1).
- * All pipework must be thoroughly flushed prior to installation.

Installation (Fig. 1 & 2)

- 1) **Body kit:** Fit mixer body (9) onto a suitable mounting plate or noggin in the wall and secure using screws through the holes in its base. When facing the mixer, the connections should be as follows :
Hot water inlet connection 'H' to the left.
Cold water inlet connection 'C' to the right.
Mixed water outlet connection, vertically upwards.
Check all connections for leaks and the tap for correct operation.
- Important :**
 - * Mixer body (9) must be installed square to wall/tile face, to ensure cover plate (5) sits flush.
 - * To avoid damaging the decorative finish, do not remove the plastic protective sleeve until installation has been completed.
- 2) **Trim kit:** Apply a suitable clear sealant to the back face of the cover plate (5), leaving an unsealed section at the bottom for drainage. Slide the cover plate (5) together with fitted 'O' Rings onto sleeve (6) as shown (Fig.2), then push the cover plate (5) along the sleeve (6) until it firmly contacts the wall/tile face. Wipe/clean any excess sealant from the chrome surfaces & the wall/tile face (Fig.1). Rotate the cartridge (8) spindle anti-clockwise to the stop position using the hexagon shape of the cartridge stem (10).
- 3) Align the handle (1) with the lever pointing downwards, then fit onto cartridge stem (10) and tighten grub screw (2) using the 2.5mm allen key (3). Fit plug (4), taking care not to damage the decorative finish.
- 4) Turn on Hot and Cold water supplies and check operation.

IMPORTANT
<u>Pressure & Temperature Requirements.</u>
<ul style="list-style-type: none"> • Hot and cold water inlet pressures should be equal. • Static inlet pressure range : 150 -1000 kPa New Regulation :-500 kPa maximum static pressure at any outlet within a building. (Ref. AS/NZS 3500.1) • Maximum hot water temperature : 80°C.
<u>Installation Requirements.</u>
<ul style="list-style-type: none"> • The installing plumber is responsible for waterproofing all penetrations for Taps in Shower areas at installation by a proprietary flange system or a sealant.(Ref AS3740)

Replacing Cartridge (Fig. 2)

- 1) Turn off hot and cold water supplies.
- 2) Carefully remove plug (4) before using a 2.5mm allen key (3) to loosen grub screw (2) and remove handle (1). Remove wall cover plate (5), then unscrew sleeve (6) from retaining nut (7), taking care not to damage the decorative finish. Unscrew retaining nut (7) using a 25mm A/F tube spanner then lift out the old cartridge.
- 3) Ensure inside face of mixer body (9) is clean. First check that seal is in position in base of new cartridge then fit new cartridge (8) into mixer body, taking care that the lug on the base of the cartridge fits into mating hole in mixer body (9).
- 4) Screw on nut (7). **Important :** Nut (7) should be tightened to a torque of 10Nm.
- 5) Rotate the cartridge (8) spindle anti-clockwise to the stop position. Check that hexagon shape of the cartridge stem (10) is aligned with one flat horizontal, then fit the sleeve assembly (6) onto the spline of the cartridge spindle, screw the sleeve into the cartridge nut and tighten fully by hand.
- 6) Go to step 3 (Installation).
- 7) Turn on water supplies and check operation.

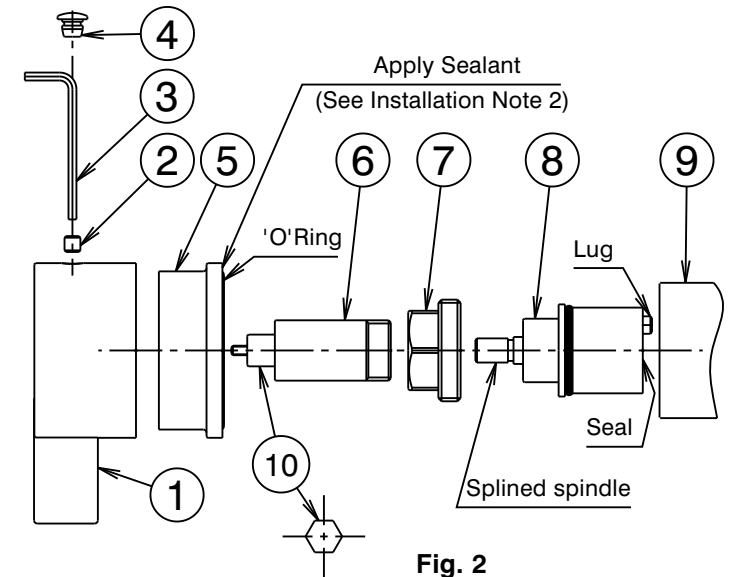


Fig. 2

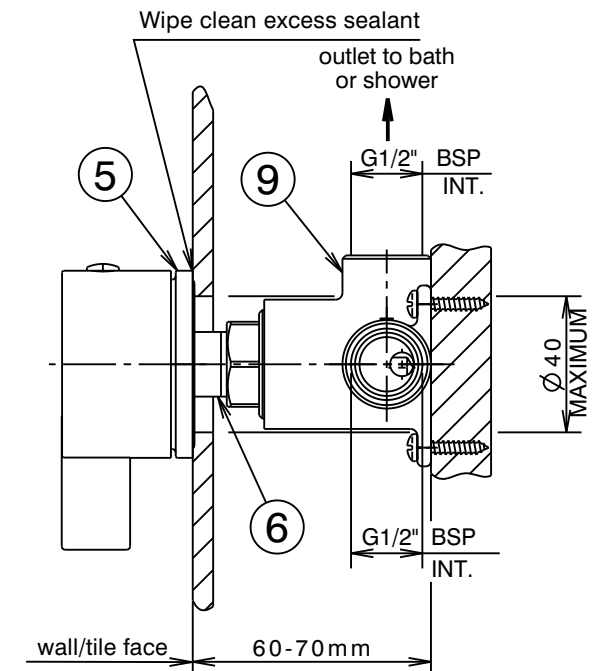


Fig. 1

IS1752A(03/18)