

CROSS - WALL SINK OUTLET

WATER EFFICIENT TAPWARE

PLUMBERS INSTALLATION INSTRUCTIONS

Important Information

- * For warranty details refer to www.clark.com.au
- * Not suitable for gravity feed systems.
- * Wall sink outlet is fitted with a flow regulated aerator insert. This low flow rate may not be suitable for connection to some Instantaneous Gas Water Heaters, some Tempering Valves, some Solar Water Heaters & some Thermostatic Mixing Valves. Check with the manufacturers of these products.
- * All pipework must be thoroughly flushed prior to installation, as foreign materials may block the flow regulating device and reduce the flow of water. Note: Aerator insert housing must be retightened to prevent removal by hand.

Installation

- 1) Check that threaded nipple (1) is the correct length, as shown. Cut to length if required ensuring end face is square. Apply thread tape to the thread.
Important: Care must be taken that thread tape cannot become dislodged and block the flow regulating device, causing a reduction in water flow.
- 2) Screw wall base (2) onto threaded nipple (1) and position so that the outlet tube (6) is vertically up & the base (2) abuts the wall/tile face. DO NOT OVERTIGHTEN.
Note: Before installing wall base (2), it may be necessary to remove outlet tube (6) to provide clear access.
If required, remove screw (3) using a 2mm allen key (5) and carefully separate tube (6) from base (2). Remove retainer (3) from groove in spigot (7). Screw wall base (2) onto the threaded nipple (1) & position with spigot (7) vertically up and the base (2) abutting the wall surface. Place retainer (3) in groove of spigot (7), then carefully slide the tube (6) onto spigot, ensuring 'O' rings are well lubricated and the hole in the tube aligns with the threaded hole in the retainer. Replace screw (4).

Removing Aerator Insert

- 1) Carefully remove aerator housing (8) from outlet (6), taking care not to damage the decorative finish.
- 2) Remove seal (10) & aerator insert (9) from aerator housing. Check that aerator housing is clean. Deposits of lime can be removed by washing in a vinegar solution.
- 3) Fit aerator insert (9) into aerator housing (8) followed by seal (10) then screw assembly onto outlet (6) and tighten securely (to prevent removal by hand).

IMPORTANT	
<u>Pressure & Temperature Requirements.</u>	
•	Hot and cold water inlet pressures should be equal.
•	Static inlet pressure range : 150-1000 kPa New Regulation:- 500 kPa maximum static pressure at any outlet within a building. (Ref. AS/NZS 3500.1)
•	Maximum hot water temperature : 80°C.

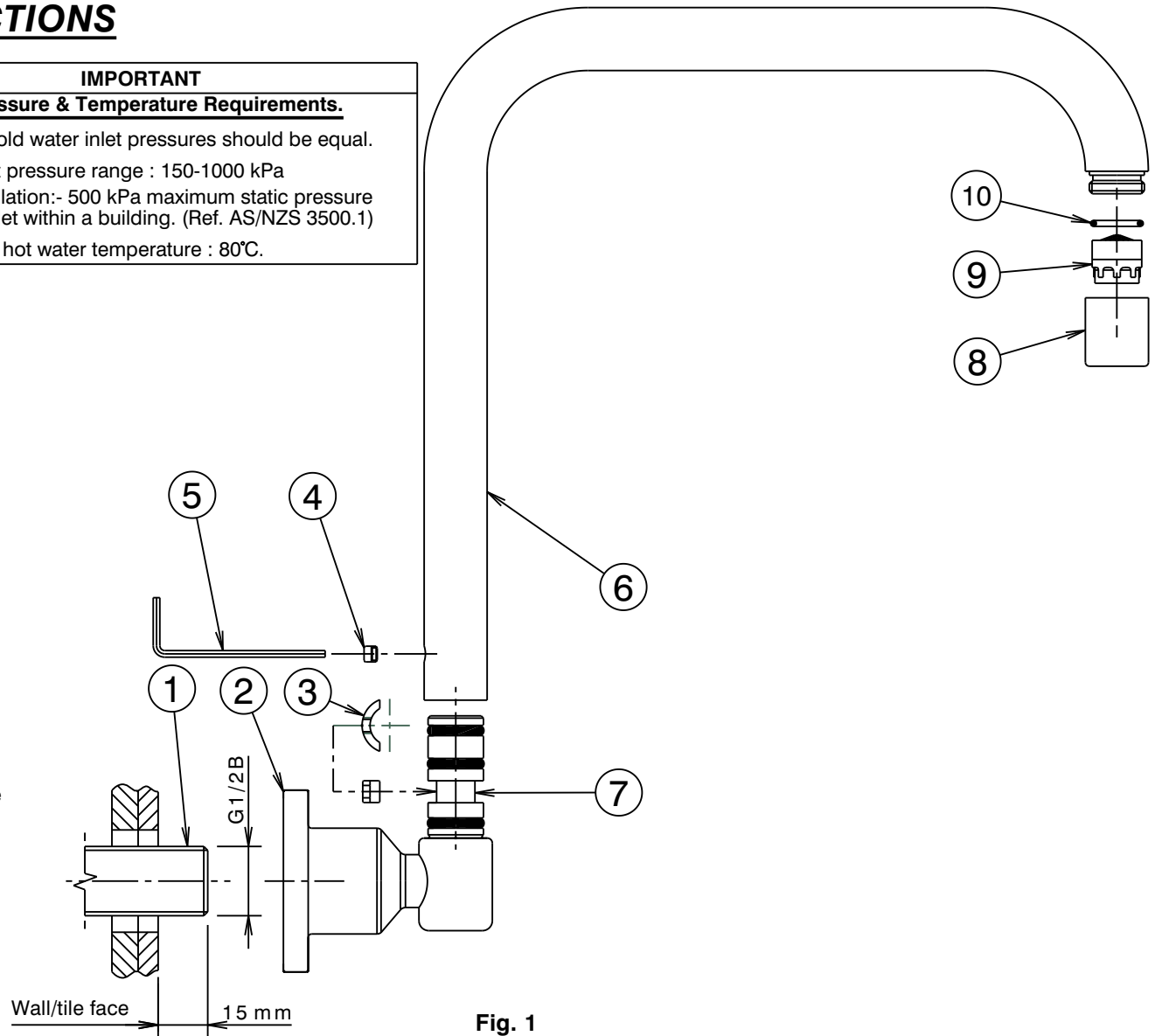


Fig. 1

PLUMBERS INSTALLATION INSTRUCTIONS

Important Information

* For warranty details refer to www.clark.com.au

Installation

- 1) Check in-wall depth (dimension 'A' in Fig.1) to ensure correct length cartridge (3) has been selected (see Table 1).
- 2) Check seats in recess tap bodies (1) are in good condition and free of foreign materials. Reseat if required.
Important : All pipework must be thoroughly flushed prior to installation, to remove all foreign matter.
- 3) To install ceramic disc cartridges (3), remove protective cap (4), locknut (5) and fibre washer from cartridge (3). Screw each cartridge (3) into tap body (1). Using a suitable spanner, tighten cartridge (3) until it comes to a firm stop. (DO NOT TIGHTEN CARTRIDGE USING SPINDLE). Fit fibre washer and then locknut (5) and tighten using a suitable spanner.
- 4) Ensure handle insert (11) is in position in handle (12). With cartridge spindles in the fully closed position, align handles (12) as shown in Fig (2) before pushing handle (12) fully onto spindle (6). For small adjustments to handle positions, cartridge (3) can be rotated **slightly** in an anti-clockwise direction until handles are aligned (Fig.2) before tightening locknut (5). Remove handles (12).
- 5) Screw wall flange (7) over each installed cartridge, and tighten fully by hand against wall/tile face, taking care not to damage the decorative finish.
- 6) Fit handle assembly as follows:-
 - i) Turn both spindles to the fully closed position.
 - ii) Place retaining nut (9) over spindle (6), with slot facing flange (7).
 - iii) Place retaining clip (10) into groove at bottom of spline in spindle (6).
 - iv) Ensure handle insert (11) is in position in handle (12). Fit handle (12) to spline of spindle, position handle as before then push firmly until it bottoms internally.
 - v) Screw retaining nut (9) into handle and tighten with spanner (8) provided.

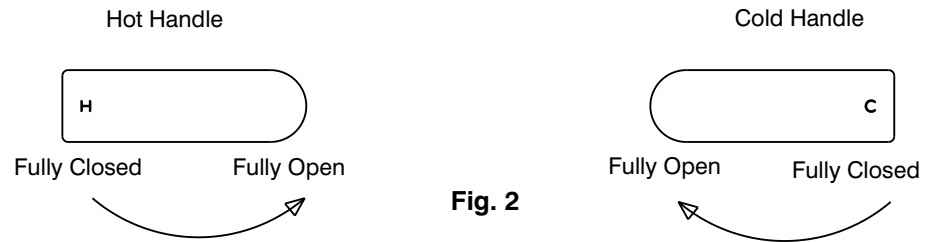


Fig. 2

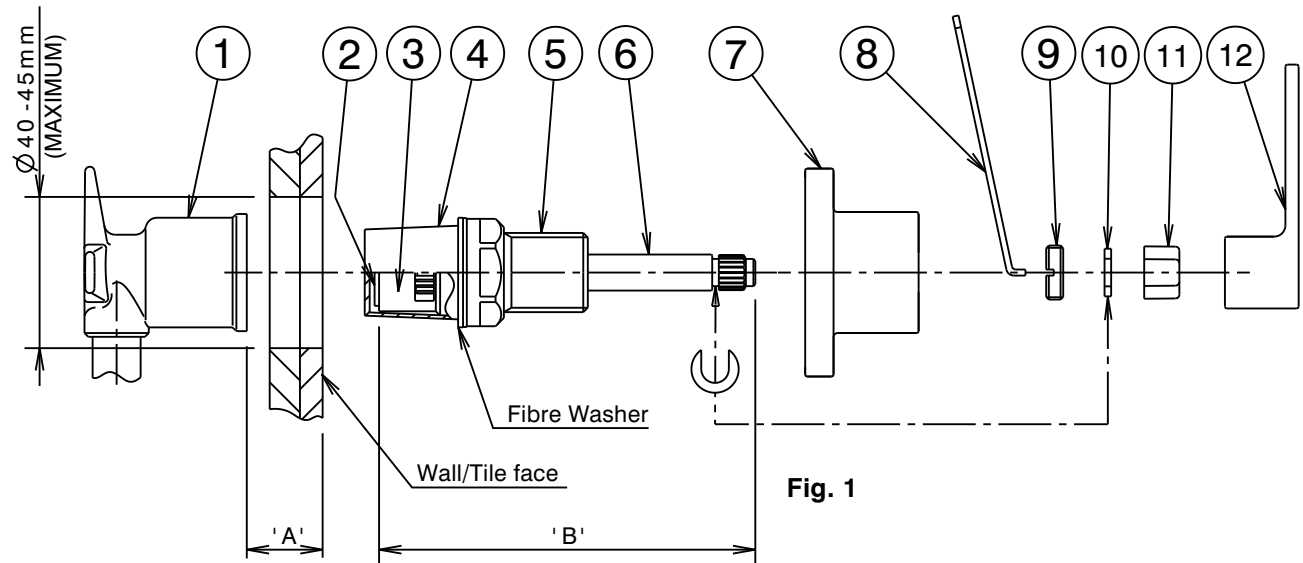


Fig. 1

Table 1

Dimension 'A"	Cartridge Ass'y	Dimension 'B'
0 - 13mm	Standard Length	99.5mm
13 - 26mm	13mm Extended	112.5mm

IMPORTANT	
<u>Pressure & Temperature Requirements.</u>	
<ul style="list-style-type: none"> • Hot and cold water inlet pressures should be equal. • Static inlet pressure range : 150 -1000 kPa • New Regulation :-500 kPa maximum static pressure at any outlet within a building. (Ref. AS/NZS 3500.1) • Maximum hot water temperature : 80°C. 	
<u>Installation Requirements.</u>	
<ul style="list-style-type: none"> • The installing plumber is responsible for waterproofing all penetrations for Taps in Shower areas at installation by a proprietary flange system or a sealant.(Ref AS3740) 	