

Care 600

Ceramic Wall Basin
Basin Size: 600mm x 445mm (nominal)

Vitreous China Shroud



Tapware shown not included.

The Care 600 wall basin has been specifically designed to comply with the Australasian Health Facility Guidelines Part D - Infection Prevention and Control. This basin complies with requirements for Type B Clinical Basin and are to be used in areas requiring a medium size clinical basin. Taps used with this basin should be either wall-mounted or basin mounted with hands-free operation (elbow, wrist or electronic) and a basin overflow is not permitted. The design offers smooth rounded contours and clean lines incorporating an optional integrated shroud. This basin is also suitable for domestic, commercial and accessible applications complying to AS 1428.1-2009 Amd. 1*.

Tap Holes: Basin available in: No tap holes Code No.873100 and one tap hole Code No.873110

Waste Outlet: The basin has been designed for the Caroma Chrome Waste (supplied) which is suitable for a 40mm trap connection.
Alternative waste options are available — Vandal Resistant Flush Fitting Chrome Waste Code No.687141, Covered Chrome Plug and Waste Code No.687142, Vandal Resistant Covered Chrome Plug and Waste Code No.687143.

Shroud: Optional Care Shroud, Code No.873170 completely conceals P-trap waste pipe fittings, concealed fixing bracket supplied. 40mm Caroma short plastic P-trap is required for correct installation Code No.102115.
Note: It is essential for the installation of the shroud to the basin that clearance is provided for the shroud in the plumbing setout from water inlet pipes and connections.

Bowl Capacity: 13 litres

Overflow: Overflow not available.

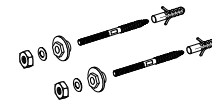
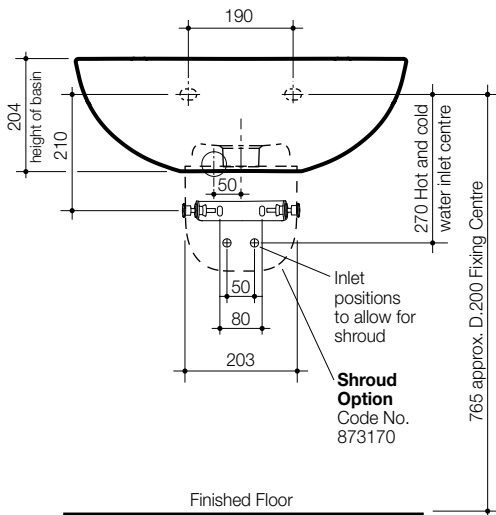
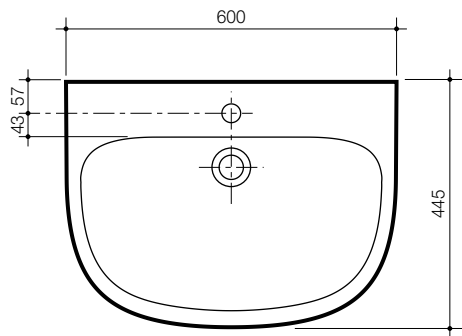
Fixing: D.200 Basin Fixing Kit – Supplied. Bolts directly to the finished wall.

Colours: White only.

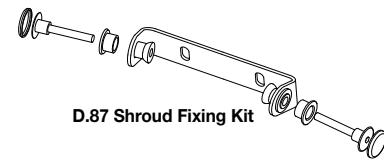
Dimensions: All dimensions are in millimetres and are subject to normal manufacturing variations. Caroma pursues a policy of continuing improvement in design and performance of its products. The right is therefore reserved to vary specifications without notice.

* Reference must be made to the AS 1428.1-2009 Amd. 1 to confirm installation requirements.

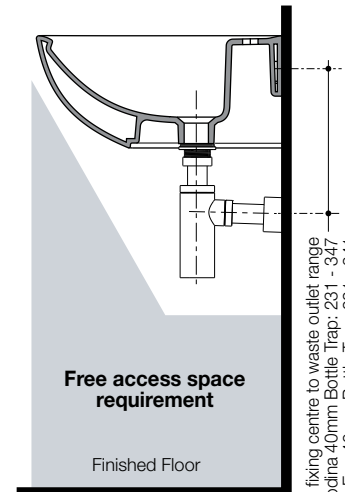
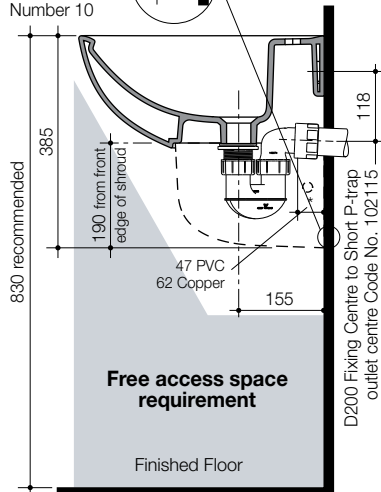
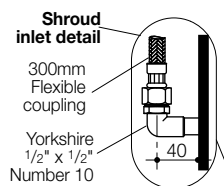
All dimensions are in millimetres and are subject to normal manufacturing variations. Caroma pursues a policy of continuing improvement in design and performance of its products. The right is therefore reserved to vary specifications without notice.



D.200 Basin Fixing Kit
included with basin



D.87 Shroud Fixing Kit



D.200 fixing centre to waste outlet range
Modina 40mm Bottle Trap: 231 - 347
Eco 40mm Bottle Trap: 221 - 341