

Important Information

- * Not suitable for gravity feed systems.
- * Mixer is fitted with a flow regulated aerator insert. This low flow rate may not be suitable for connection to some Instantaneous Gas Water Heaters, some Tempering Valves, some Solar Water Heaters & some Thermostatic Mixing Valves. Check with the manufacturers of these products.
- * Isolating stop taps must be fitted to the hot & cold water supply connections. (Part No. 842018C - Mini cistern 1/4T)
- * All pipework must be thoroughly flushed prior to installation, as foreign materials may block the flow regulating device and reduce the flow of water. Note: Aerator insert must be retightened to prevent removal by hand.
- * This mixer is fitted with a 'Progressive' cartridge. To operate the cartridge, the handle is rotated clockwise (Fig.2). The first 90° of handle rotation will only select cold water, avoiding unnecessary use of hot water. Further rotation of the handle will deliver a mixture of hot and cold. When the handle is rotated fully clockwise, only hot water will flow.

Installation

- 1) From fixing pack fit 'O'ring (10) into groove in base of mixer (9). Assemble screws (14) into clamp ring (13), the threaded end of each screw should be just protruding from the clamp ring. Fit flat seal (11) into groove in washer (12).
- 2) *Flexible Tail Mixer Connections:* Apply suitable lubricant to 'O' rings (15). Fit flexible tail (16) (with red indication) into hole marked with a Red Dot in underside of mixer body (9). Hand tighten the tail, ensuring the 'O' ring (15) has fully entered the sealing bore to provide a watertight joint. Fit other flexible tail (with blue indication) into remaining hole in a similar manner.
- 3) Insert the inlet connection end (17) of each flexible tail (16) through the hole in the deck. Fit mixer (9) into deck hole, fit washer (12) together with flat seal (11) over threaded tail of mixer as shown (Fig. 1). Screw clamp ring (13) onto threaded tail until it contacts washer (12) & the flat seal (11) has contacted the underside of the deck. Tighten two screws (14) using a 3mm allen key until mixer assembly is clamped firmly to the deck. DO NOT OVERTIGHTEN.
- 4) *Flexible Tail Inlet Connections:* Connect the flexible tails (16) to the hot and cold isolating stop taps, hand tighten the fixing nut (17) until rubber cone contacts the sealing face of the connection end, then tighten a further one turn to provide a watertight joint. **Important:** Flexible tails must not be kinked, twisted or in tension when installed. (Minimum Bend Radius:- 50mm) Do not install flexible tails where subject to ultra violet light.

Replacing the metal handle with alternate timber handle.

- 1) Turn metal handle (4) to the closed position.
- 2) Prise out the cap (1) using a thin flat bladed screwdriver in the gap provided. Remove screw (3), spring washer (2) and metal handle (4) and discard. (See Fig.1)
- 3) Fit new plastic insert (5), from plastic bag, onto spindle spline (7) with square aligned to axis. Secure using screw (20) supplied. (See Fig.4)
- 4) Align the closed position indicator on the timber handle to be at the front then slide the handle (21) onto the plastic insert (5) and tighten the grub screw (22) using a 2.5mm allen key (23).

Replacing Cartridge

- 1) Turn off hot and cold water supplies.
- 2) **When metal handle (4) is fitted (Fig.1):-**
Prise out the cap (1) using a thin flat bladed screwdriver in the gap provided. Remove screw (3) and spring washer (2) then lift metal handle (4) together with plastic insert (5) from cartridge spindle (7). Unscrew nut (6) then lift out old cartridge (8).

When timber handle (21) is fitted (Fig.4):-

- Loosen grub screw (22) using a 2.5mm allen key (23) then lift timber handle (21) from cartridge spindle. Remove screw (20) and plastic insert (5) from cartridge spindle (7). Unscrew nut (6) then lift out old cartridge (8) (Fig.1).
- 3) Ensure inside face of mixer body (9) is clean. Check that seals are in position in base of new cartridge (8). Fit new cartridge (8) into mixer body (9), taking care that the lug on base of cartridge (8) fits into the mating hole in mixer body (9). Screw on nut (6). **Important:** Nut (6) should be tightened until solid. Rotate the cartridge spindle (7) anticlockwise to the stop position.
 - 4) **To replace metal handle (4):-**
Align the closed position indicator on the metal handle to be at the front (Fig.3) then fit the handle (4) onto the spline of cartridge spindle (7). Assemble screw (3) together with spring washer (2) into handle (4) as shown (Fig.1) & tighten screw (3). Replace cap (1) with the gap for removal at the back.

To replace timber handle (21):-

- Align one face of the plastic insert (5) to be at the front, press the insert onto the spline of cartridge spindle (7) & secure with screw (20). Align the closed position indicator on the timber handle to be at the front then slide the handle (21) onto the plastic insert (5) and tighten the grub screw (22) using a 2.5mm allen key (23).
- 5) Turn on water supplies and check operation.

IMPORTANT

Pressure & Temperature Requirements.

- Hot and cold water inlet pressures should be equal.
- Static inlet pressure range : 150-1000 kPa
New Regulation:- 500 kPa maximum static pressure at any outlet within a building. (Ref. AS/NZS 3500.1)
- Maximum hot water temperature : 80°C.

Deck Requirements

- Deck thickness : 40mm maximum
- Tap body hole (in deck) : Ø34-36mm

Removing Aerator Insert (Fig.1)

- 1) Aerator insert (18) can be removed with spanner (19) provided.
- 2) Deposits of lime can be removed by washing in a vinegar solution.
- 3) When replacing aerator insert (18), be careful that thread is engaged correctly and 'O' ring is not damaged as it enters the bore. Tighten securely (to prevent removal by hand) using spanner (19).

CAROMA

ELVIRE - BASIN MIXER

WATER EFFICIENT TAPWARE

PLUMBERS INSTALLATION INSTRUCTIONS

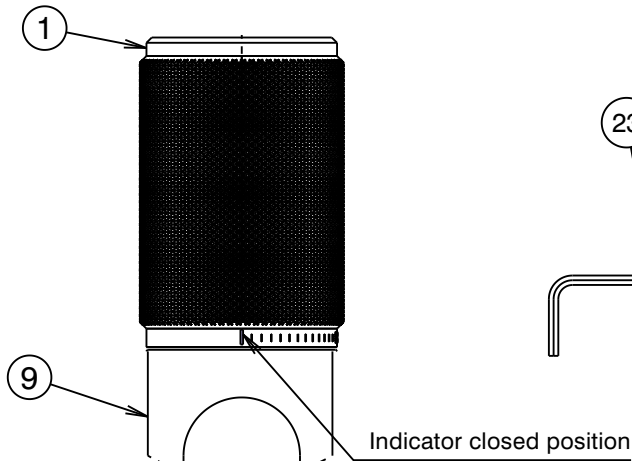


Fig. 3

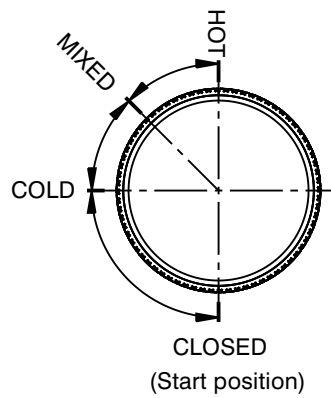


Fig. 2

(HANDLE ORIENTATION)

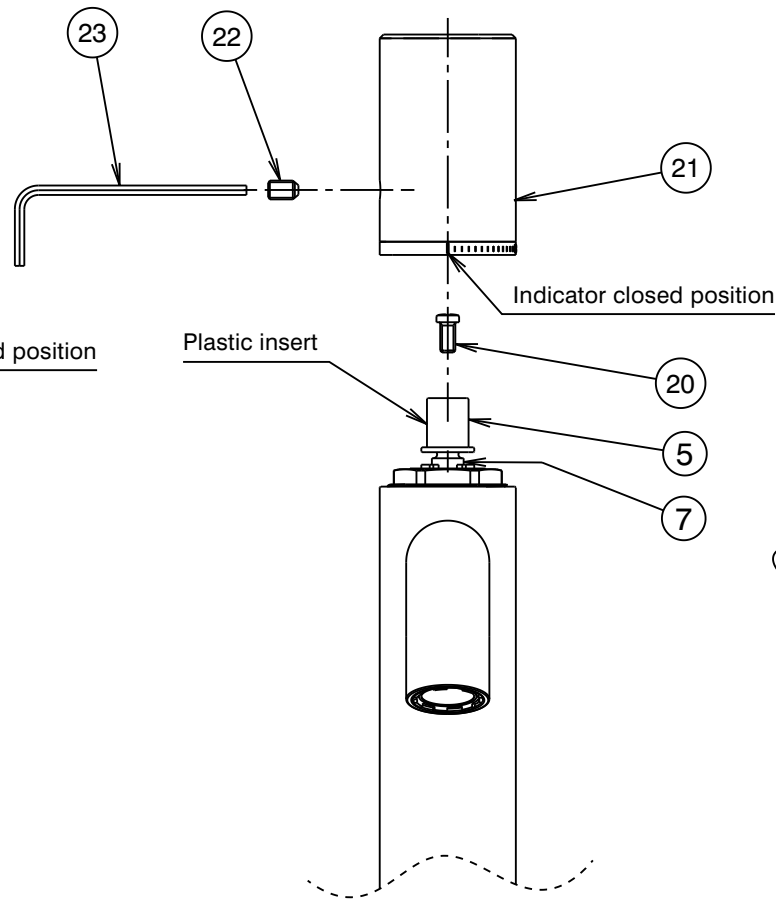


Fig. 4

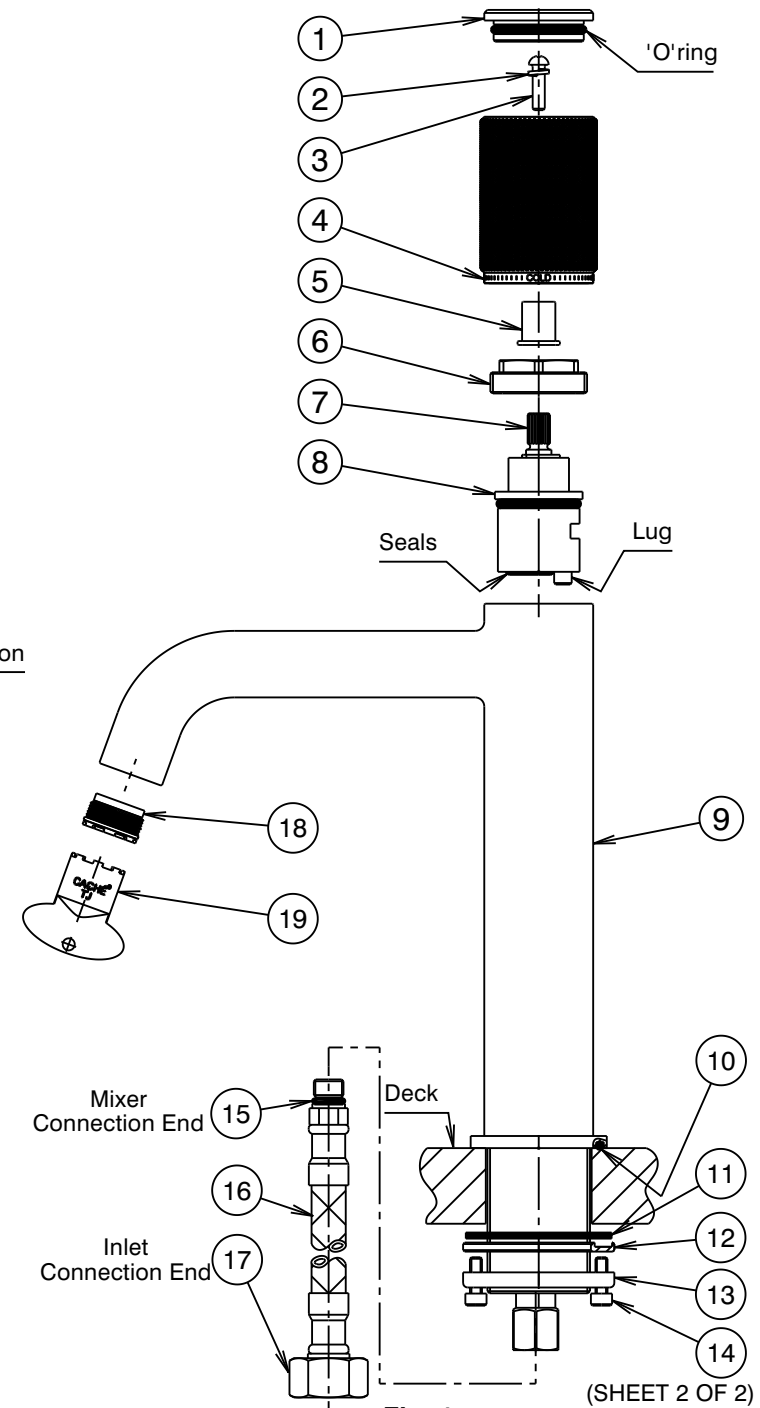


Fig. 1

(SHEET 2 OF 2)
IS1797B(12/19)