

## WALL HUNG BASIN/SHROUD INSTALLATION INSTRUCTIONS PLEASE READ CAREFULLY BEFORE INSTALLATION

### IMPORTANT

Provide suitable reinforcement behind finished wall for the basin D.200 Fixing at the fixing height position.

### Roughing in for D.200 Fixing Kit :

For timber stud walls, noggins and studs must be positioned at a height to allow for the location of fasteners as detailed in **Fig. 1**.

### BASIN INSTALLATION WITH D.200 FIXING KIT

- 1- Mark fixing screw hole position on finished wall at the recommended height as detailed in **Fig. 1**.
- 2- Drill two Ø12mm holes in masonry wall for expansion fasteners. For timber stud walls drill two Ø8mm holes for Fixing Screws.
- 3- Insert expansion fasteners into the drilled holes in masonry wall. The Fixing Screws, should be screwed into the wall using the flat section of the Fixing Screw, with a spanner as shown in **Fig. 2**. Allow 48 mm of thread to protrude from the finished wall.
- 4- Locate basin onto the Fixing Screws on the wall. Insert plastic bushes, metal washers and fasten to wall with fixing nut. To complete assembly as detailed in **Fig. 3**.
- 5- The Plastic Bush allows for leveling adjustment if required by rotating the hexagonal head bush, the basin will be slightly raised or lowered as shown in **Fig. 3**.
- 6- Fit taps and waste assembly to the basin.
- 7- Tighten fixing nuts and connect plumbing to complete the installation.

### OPTIONAL SHROUD SHROUD INSTALLATION

For installations using the D.200 Basin Fixing Kit, locate links on to fixing screws and fit fixing springs as shown in **Fig. 4**.

- 1- Ensure basin is secured to bracket and plumbing is connected.
- 2- Position shroud to underside of basin and pull down springs with two fingers to locate into holes at the side of the shroud.
- 3- Check shroud is tensioned and secured against basin. The tension of the spring is adjusted by moving its location in the hole in the link.

### Wall Hung Basin D.200 Basin Fixing Kit

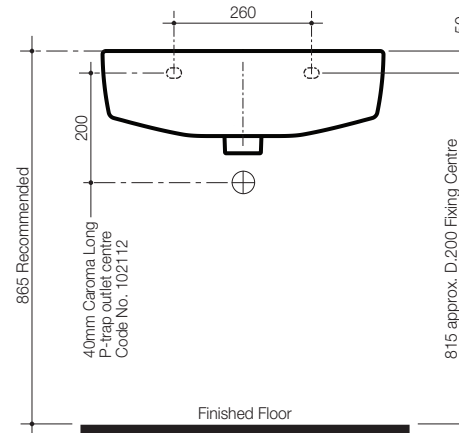
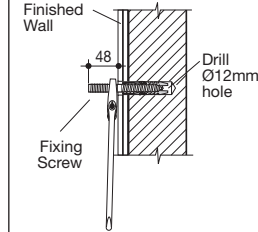


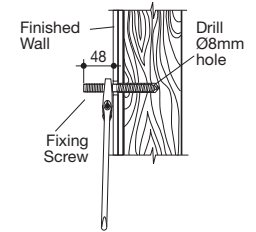
Fig. 1

### IMPORTANT:

#### Fixing Screw Masonry Walls Installation



#### Fixing Screw Timber Stud Walls Installation



#### D.200 Basin Fixing Kit

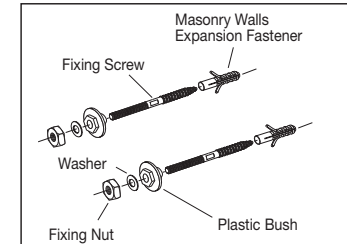


Fig. 2

### D.200 Basin Fixing Kit Completed Installation

For 3 tap holes with Shroud only, use Elbow M&F Brass 1/2" x 1/2" BSP (not supplied)

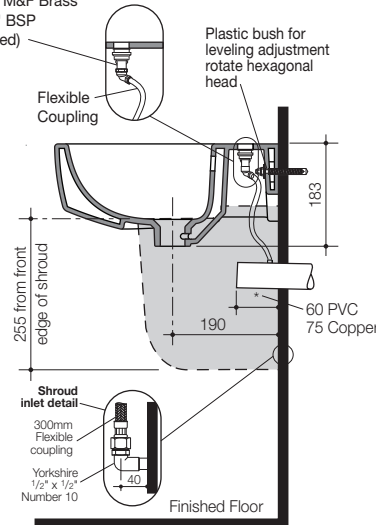


Fig. 3

### Shroud Fixing

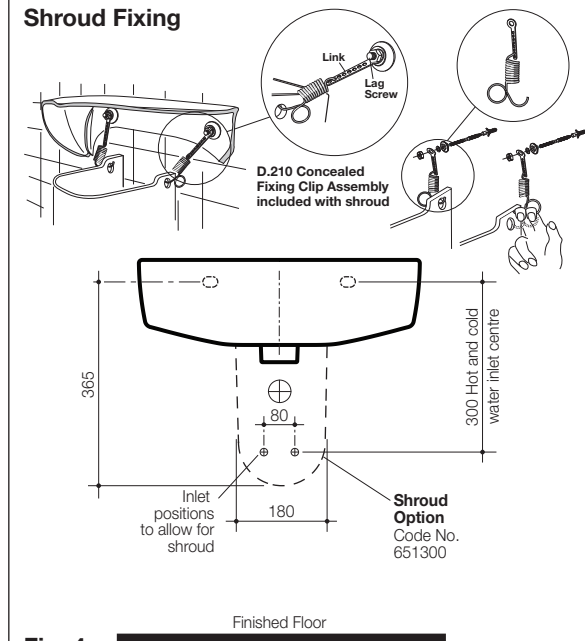


Fig. 4

All measurements are subject to accepted manufacturing tolerances. To ensure accuracy please check actual product dimensions before drilling for installation. The manufacturer reserves the right to change specifications at any time without giving prior notification. This product should be installed by a qualified plumber. Local authority, Water Board, and Building Regulations may apply to the installation of this product, and you should consult the appropriate bodies on these requirements.