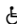


Opal Sole SRB

Ceramic Semi Recessed Vanity Basin

Basin Size: 550mm x 505mm (nominal).

Bowl capacity: 9.5 litres.

The Opal Semi Recessed basin is part of an extensive range of co-ordinated basins that allows continuity of design throughout the project where basins of matching design for different applications are required. The design offers smooth rounded contours and clean lines. The basin is sealed to the counter top with an acetic cured silicone sealant. The basin is suitable for domestic, commercial and  accessible applications.

Tap Holes: The basin is available in no taphole, one taphole (centre) and three taphole options.

Overflow: Overflow not available.

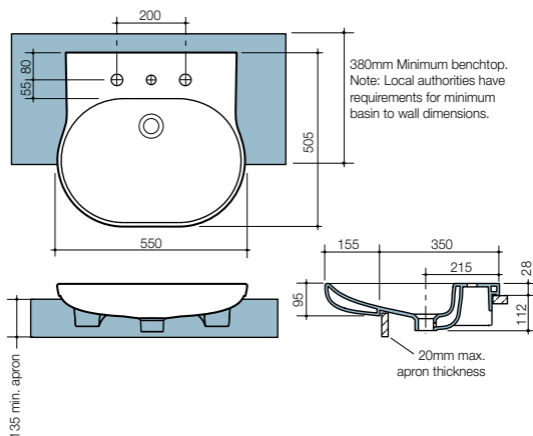
Fixing: D.250 Bracket with Tie Hooks (supplied) – Recommended for domestic and general commercial use. Two D.250 brackets are fixed to the underside of the counter top to secure the tie hooks which anchor the back of the basin to the counter.

Basin must be sealed to the top and front of counter with an acetic cured sealant. **Epoxy type glues must not be used.**

Basin supplied with a template which must be used for the counter cut-out. **Important:** For granite or marble tops, fix two 20mm thick wooden blocks in the bracket position on the underside of the granite/marble with fast setting two part epoxy. When fully set screw the brackets into position on the wooden blocks. Other suitable fastening systems may be used.

Installation: Refer to *Important Information for Plumbers* section.

Colours: White only.



Supplied with chrome grate waste.