

# Caroma®

## Caravelle Support Close Coupled 4.5/3 litre Cistern

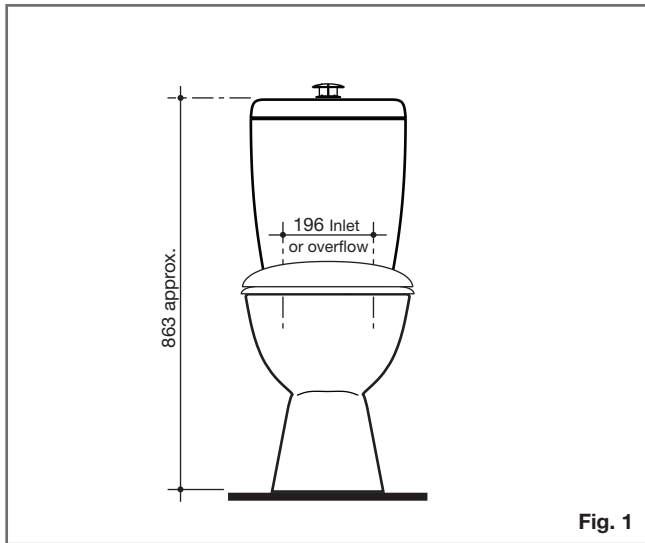


Fig. 1

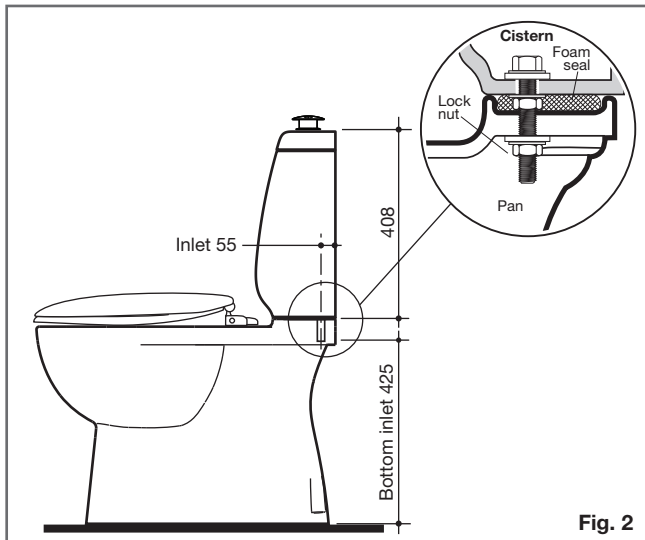


Fig. 2

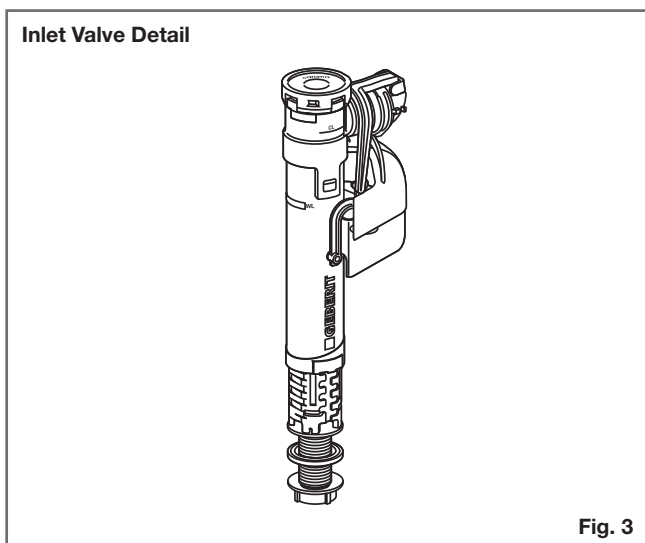


Fig. 3

# PLUMBERS' INSTALLATION INSTRUCTIONS

**PLEASE READ CAREFULLY BEFORE INSTALLATION THESE CISTERN INSTRUCTIONS SUPERSEDE INSTRUCTIONS IN THE PAN CARTON**

## CISTERN FIXING PROCEDURE

### Standard right hand bottom inlet (Internal overflow only) installation

The inlet valve can be changed from left to right or vice versa.

**Note:** The cistern fixes directly to the pan with a robust base fixing system without the need for wall fixing.

- 1- Ensure the pre-fixed foam seal at base of cistern is securely attached to cistern base, as detailed in **Fig. 2**.
- 2- Locate cistern fixing bolts into pan fixing holes and secure cistern to pan with lock nuts.
- 3- Flush the lines and connect water supply and check operation of cistern.
- 4- **IMPORTANT:** Install vandal resistant bracket as per instructions included with vandal resistant kit to ensure lid is securely fixed to the tank.
- 4- Fit lid to check push button operation to complete installation.

**IMPORTANT:** THE STANDARD INLET VALVE IS FITTED WITH A LINE STRAINER. ITS TAIL IS CENTRALLY LOCATED TO ALLOW EASY REMOVAL FOR CLEANING. THIS TAIL FITS EASILY INTO THE COPPER CONNECTION PIPE. INSTALLATION OF THE CISTERN WITHOUT THE STRAINER CAN LEAD TO DAMAGE OF THE INLET VALVE FROM THE WATER-BORNE CONTAMINANTS LEADING TO CISTERN MALFUNCTION. THE STRAINER IS ALSO CAREFULLY DESIGNED TO ACT AS A FLOW CONTROL DEVICE. IT MAKES THE OPERATION OF THE INLET VALVE SIGNIFICANTLY QUIETER. PLEASE ENSURE THAT THE LINE STRAINER IS PROPERLY INSTALLED FOR BEST PRODUCT PERFORMANCE.



## IMPORTANT

TO ACHIEVE A SATISFACTORY 4.5/3L FLUSH PERFORMANCE AND A 4 STAR WATER EFFICIENCY RATING THE CISTERN MUST BE MATCHED WITH A COMPATIBLE CAROMA SMARTFLUSH 4.5/3L TOILET PAN.

All measurements are subject to accepted manufacturing tolerances. To ensure accuracy please check actual product dimensions before drilling for installation. The manufacturer reserves the right to change specifications at any time without giving prior notification. This product should be installed by a qualified plumber. Local authority, Water Board, and Building Regulations may apply to the installation of this product, and you should consult the appropriate bodies on these requirements.