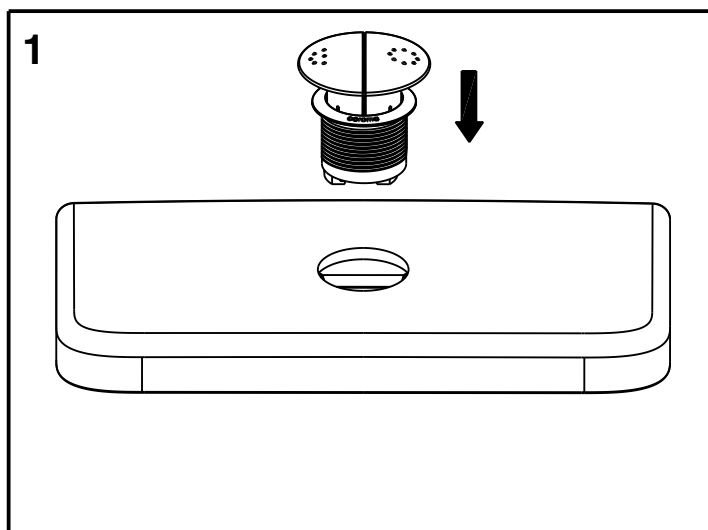
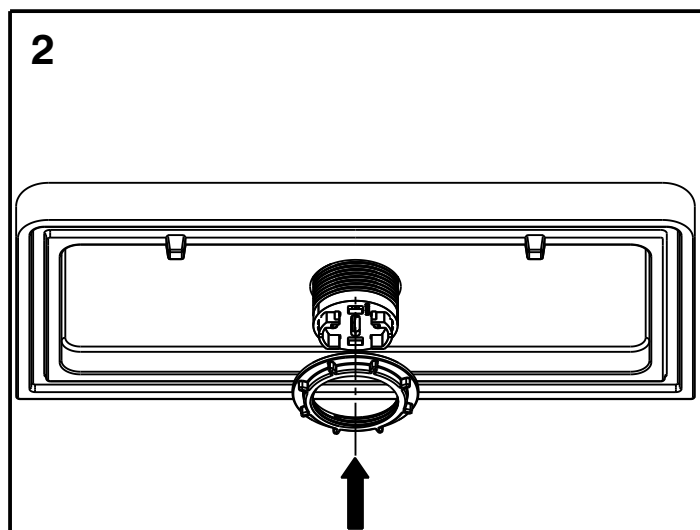


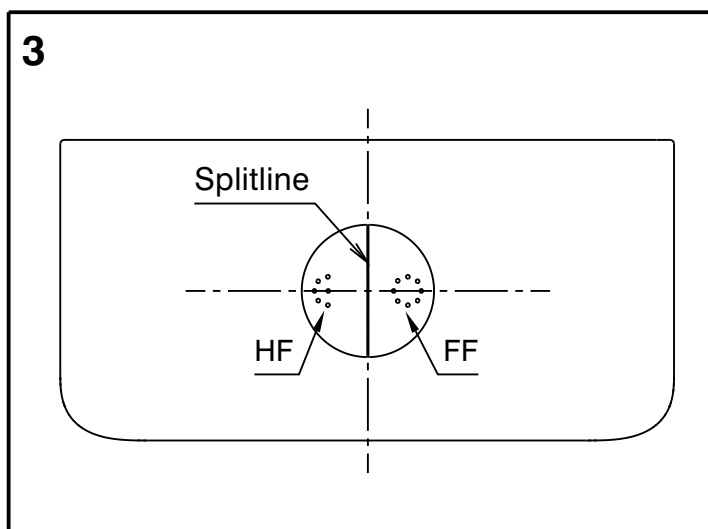
Round care wall faced close coupled flush button



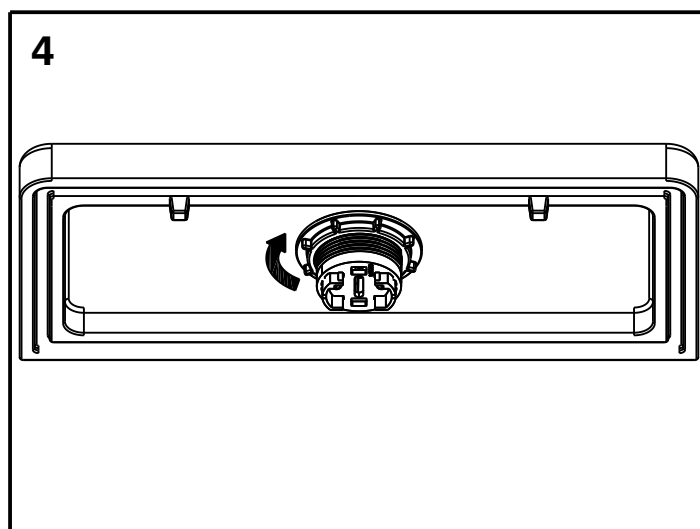
Fit the Button assembly into the cistern lid while keeping the half flush line to the left, as shown.



Screw the nut on the button assembly from underneath the lid.



Check the orientation of the button ensuring the split line is perpendicular to the back wall.



Hand tighten the nut fully.

Note: Never use abrasive or harsh chemical cleaners on the button or lid. Wipe with warm soapy water to maintain decorative finish.