

## Universal Close Coupled Cistern

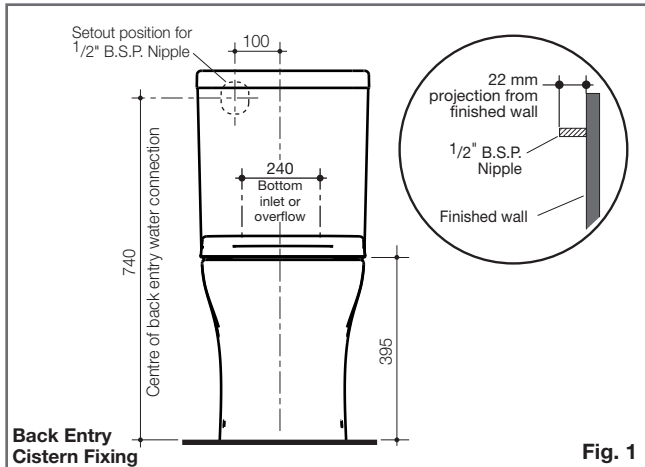


Fig. 1

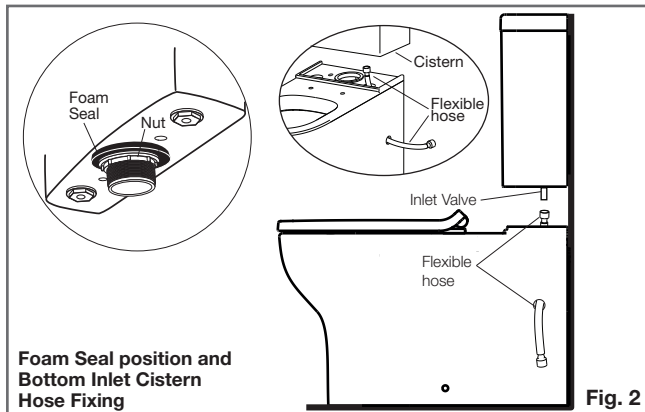


Fig. 2

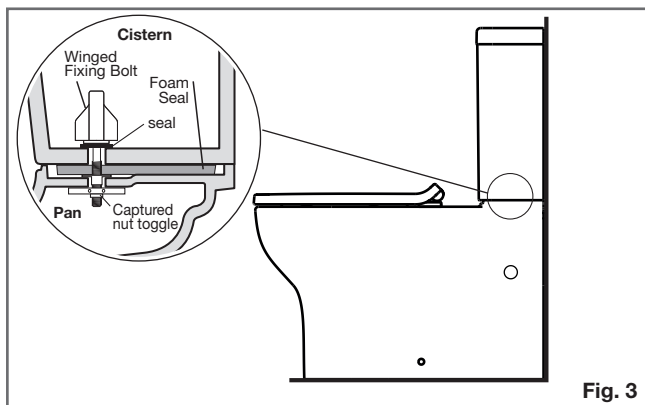


Fig. 3

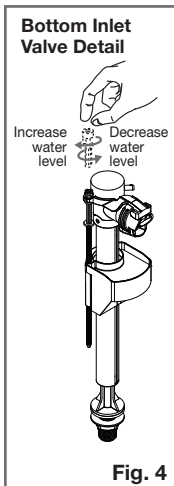


Fig. 4

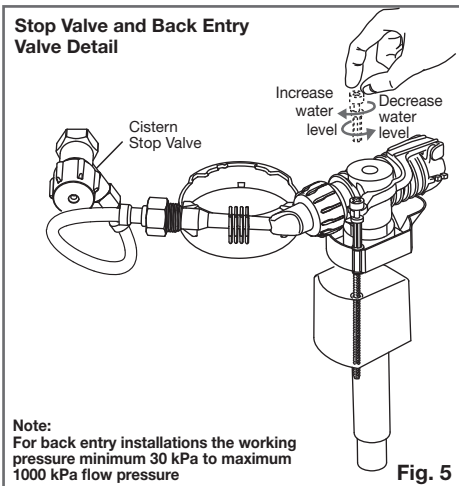


Fig. 5

**Note:**  
For back entry installations the working pressure minimum 30 kPa to maximum 1000 kPa flow pressure

## PLUMBER'S INSTALLATION INSTRUCTIONS

**PLEASE READ CAREFULLY BEFORE INSTALLATION THESE CISTERN INSTRUCTIONS SUPERSEDE INSTRUCTIONS IN THE PAN CARTON**

### CLOSE COUPLED CISTERN FIXING PROCEDURE

#### Standard Right Hand Bottom Inlet

**Note:** The inlet valve can be changed from right to left.

The cistern fixes directly to the pan with a robust base fixing system without the need for wall fixing.

- 1- Securely attach the self-adhesive Foam Seal around the outlet on the base of cistern, as detailed in Fig. 2. Remove outlet valve to gain access to the cistern fixing holes.
- 2- Connect flexible hose to inlet valve and thread other end of flexible hose through side hole on pan, as detailed in Fig. 2. Position cistern onto pan and align the cistern fixing holes with the threaded fixing holes located in the cistern platform. Fit the seals onto the Winged Fixing Bolts.
- 3- Insert the Winged Fixing Bolts through the cistern fixing holes into the threaded fixing holes located in the pan. Gradually tighten the left and right hand nuts by hand to firmly secure the cistern to pan, as detailed in Fig. 3.
- 4- Refit the outlet valve into position.
- 5- Flush the lines and connect water supply and check operation of cistern.
- 6- Adjust water level. Turn on water mains. Open the Cistern Stop Valve and check the operation of the mechanisms and valve. Adjust water level to the water level mark inside the cistern by simply turning the float arm adjustment screw in a clockwise or anti clockwise direction as detailed in Fig. 4.
- 7- Fit lid to check push button operation to complete installation.

#### Back Entry Installation

- 1- Securely attach the self-adhesive Foam Seal around the outlet on the base of cistern, as detailed in Fig. 2. Remove outlet valve to gain access to the cistern fixing holes.
- 2- Position cistern onto pan and align the cistern fixing holes with the threaded fixing holes located in the cistern platform. While lowering cistern onto pan, angle the top of the cistern away from the wall until the cut-out clears the connection nipple in the wall. Fit the seals onto the Winged Fixing Bolts.
- 3- Insert the Winged Fixing Bolts through the cistern fixing holes into the threaded fixing holes located in the pan. Gradually tighten the left and right hand nuts by hand to firmly secure the cistern to pan, as detailed in Fig. 3.
- 4- Fit Cistern Stop Valve (supplied) to the 1/2" B.S.P. nipple in the wall using approved thread seal, in the downward angled position as detailed in Fig. 5. Connect one end of flexible hose to cistern stop valve.

**Note:** As specified in Australian Standard AS/NZS 3499, flexible hose assemblies shall not be submerged.

- 5- Flush the lines before connecting the flexible hose to the Cistern Stop Valve and ensure the hose is not rubbing against the inside of the cistern.
- 6- Turn on water mains. Open Cistern Stop Valve and check for leaks and operation of mechanisms and valves. Ensure there is no leakage from the cistern into the pan.
- 7- Adjust water level to the 4.5 litre water level mark inside the cistern by simply turning the float arm screw in a clockwise or anti-clockwise direction as detailed in Fig. 5.
- 8- Fit cistern lid to check flush button operation to complete installation.

Installation must be in accordance with AS/NZS 3500.2

### IMPORTANT

TO ACHIEVE A SATISFACTORY 4.5/3L FLUSH PERFORMANCE AND A 4 STAR WATER EFFICIENCY RATING THE CISTERN MUST BE MATCHED WITH A COMPATIBLE 4.5/3L TOILET PAN.